



“L’Acqua è il nostro elemento...”  
“Water is our element...”





Udor nasce nel 1966 e oggi progetta, produce e distribuisce Pompe a Membrana e Pompe a Pistoni per il pompaggio di acqua a bassa, media e alta pressione, compresa acqua additivata da prodotti chimici.

La produzione attuale comprende oltre 50 modelli di Pompe a Membrana (da 2 a 6 membrane) ed oltre 150 modelli di Pompe a Pistoni (da 3 a 6 pistoni).

Le nostre pompe sono progettate per garantire affidabilità e durata, Udor migliora costantemente i propri prodotti per raggiungere livelli sempre più alti di qualità e di prestazioni.

I nostri prodotti sono concepiti per essere incorporati in vari tipi di sistemi pompanti quali, macchine da diserbo e irrorazione in agricoltura, idropultrici e impianti per il lavaggio in genere, sistemi antincendio, sistemi per il pompaggio di liquidi antigelo, impianti di osmosi inversa, nebulizzatori, irroratori per la cura del verde ed in altri sistemi di vario tipo.

*UDOR was founded in 1966, today it develops, manufactures, markets, supplies and services Diaphragm Pumps and Plunger Pumps for pumping water, including chemical-added water.*

*Our production covers now over 50 models of Diaphragm Pumps (from 2 to 6 cylinders) and over 150 models of Plunger Pumps (from 3 to 6 plungers).*

*Our pumps are designed to ensure reliability and long life. We constantly improve our products to guarantee quality and upgrade performance.*

*Our products are developed to be incorporated into various kinds of pumping systems such as: Agricultural Sprayers, High Pressure Washers, Water Cleaners, Fire Fighting Systems, Deicing Equipment, Reverse Osmosis systems, Misting equipment, Lawn Care Sprayers and others.*



# UTILIZZI PRINCIPALI

## MAIN APPLICATIONS

TRATTAMENTI CHIMICI  
IN AGRICOLTURA

*AGRICULTURAL SPRAYING*



CURA DEL VERDE

*LAWN CARE*



IDROPULIZIA

*HIGH PRESSURE  
WASHING*



AUTOLAVAGGIO

*CAR WASHING*



ESPURGO E  
PULIZIA TUBAZIONI  
*SEWAGE AND  
PIPE CLEANING*

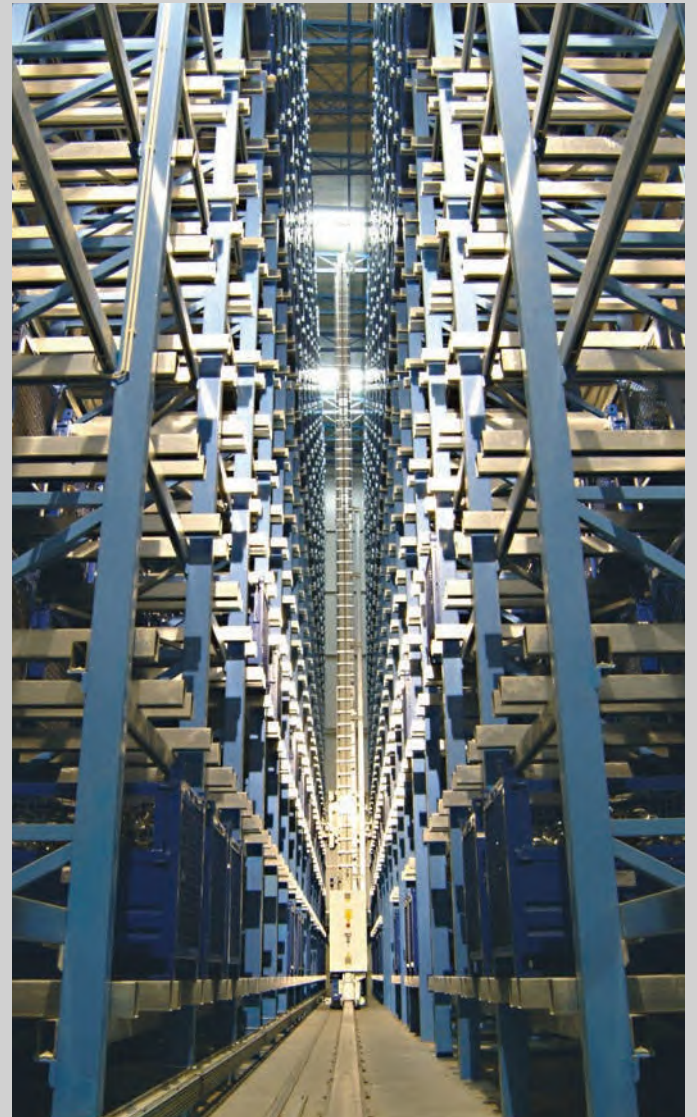
LAVAGGIO STRADE  
*ROAD WASHING*

ANTINCENDIO  
*FIRE FIGHTING*

DISSALAZIONE  
*DESALINATION*

ANTIGELO  
*DEICING*









PORTATA FLOW		RPM	PRESSIONE PRESSURE		MODELLO MODEL	PAG. PAGE
l/min	GPM		bar	PSI		
2.0	0.5	1450	100	1450	PNC 02/10 S	13
4.0	1.1	1450	100	1450	PNC 04/10 S	13
5.7	1.5	1450	150	2175	PSC 06/15 S	62
6.0	1.6	1450	100	1450	PNC 06/10 S	13
7.6	2.0	1750	140	2030	PND 2.0/20 S	13
		1750	140	2030	PND 2.0/20 Z	15
8.0	2.1	2800	140	2030	PNE 08/14 S	13
9.0	2.4	1450	110	1595	PNC 09/11 S	13
		1450	170	2465	PNC 09/17 S	14
		1450	200	2900	PKC 09/20 S	20
9.5	2.5	1750	140	2030	PND 2.5/20 S	13
		3400	140	2030	PNL 2.5/20 T	17
10.0	2.6	1450	200	2900	PKC 10/20 S	20
11.0	2.9	1450	110	1595	PNC 11/11 S	13
		1450	150	2175	PKWTC 11/15 S	68
		1450	150	2175	PSC 11/15 S	62
		1450	170	2465	PKC 11/17 S	20
		2800	140	2030	PNE 11/14 S	13
11.4	3.0	1750	140	2030	PND 3.0/20 S	13
		1750	140	2030	PND 3.0/20 Z	15
		3400	140	2030	PNL 3.0/20 T	17
		3400	170	2465	PNL 3.0/25 T	18
		3400	200	2900	PKL 3.0/30 W	22
11.5	3.0	1750	500	7250	CHD 3.0/75 S	40
12.0	3.2	1450	140	2030	PNC 12/14 I	16
		1450	500	7250	CHC 12/50 S	40
13.0	3.4	1450	120	1740	PNC 13/12 S	13
		1450	150	2175	PKWTC 13/15 S	68
		1450	150	2175	PSC 13/15 S	62
		1450	150	2175	PNC 13/15 S	14
		1450	170	2465	PKC 13/17 S	20
		1450	200	2900	BC 13/20 S	24
		1450	200	2900	BC 13/20 I	24
		1450	300	4350	BKC 13/30 S	28
		2800	120	1740	PNE 13/12 S	13
		2800	150	2175	PNE 13/15 S	14
13.2	3.5	1750	140	2030	PND 3.5/20 S	13
		1750	140	2030	PND 3.5/20 Z	15
		3400	150	2175	PNL 3.5/22 T	18
		3400	200	2900	PKL 3.5/30 W	22
13.4	3.5	1750	350	5075	CKD 3.5/51 S	34
14.0	3.7	1450	200	2900	PKC 14/20 Z MI	23
14.1	3.7	1000	1250	18130	VY-B 14/1250 R	58
14.5	3.8	1200	1250	18130	VY-F 15/1250 R	58
14.6	3.9	1000	1000	14500	VY-B 15/1000 R	58
		1200	1000	14500	VY-F 15/1000 R	58
		1450	150	2175	BC 15/15 S	24
		1450	150	2175	PKC 15/15 S	20
		1450	200	2900	BC 15/20 S	24
		1450	200	2900	BC 15/20 I	26
		1450	250	3625	BKC 15/25 S	28
		1450	300	4350	BKC 15/30 S	28
		1450	500	7250	CXC 15/50 S	38
		1450	1000	14500	VY-C 15/1000 R	58
		1750	140	2030	PND 4.0/20 S	13
		1750	140	2030	PND 4.0/20 Z	15
		1750	140	2030	PND 4.0/20 T MI	19
		1750	170	2465	PKD 4.0/25 U	21
		1750	300	4350	BKD 4.0/44 S	28
3400	200	2900	PKL 4.0/30 W	22		
3400	250	3625	BKL 4.0/36 W	29		
3400	300	4350	BKL 4.0/44 W	29		
15.0	4.0	1750	140	2030	BD 4.0/20 S	24
		1750	140	2030	BD 4.0/20 U	25
		1750	200	2900	BD 4.0/30 S	24
		1750	200	2900	BD 4.0/30 U	25
		1750	1000	14500	VY-D 15/1000 R	58
		3400	200	2900	BL 4.0/30 W	27

PORTATA FLOW		RPM	PRESSIONE PRESSURE		MODELLO MODEL	PAG. PAGE
l/min	GPM		bar	PSI		
16.0	4.2	1450	150	2175	MWTC 16/15 S	69
		1450	200	2900	MSC 16/20 S	63
		1450	500	7250	CHC 16/50 S	40
17.0	4.5	1750	500	7250	CHD 4.5/75 S	40
		1450	300	4350	CKC 17/30 S	35
		1450	350	5075	CKC 17/36 S	34
		1750	350	5075	CKD 4.5/51 S	34
18.0	4.8	1450	500	7250	CXC 18/50 S	38
18.1	4.8	1750	1000	14500	VY-D 18/1000 R	58
18.2	4.8	1750	200	2900	BD 5.0/30 S	24
		1750	250	3625	BKD 5.0/36 S	28
18.5	4.9	1450	200	2900	BC 18/20 I	26
		1450	200	2900	BC 18/20 S	24
		1450	250	3625	BKC 18/25 S	28
18.6	4.9	1450	1000	14500	VY-C 19/1000 R	58
19.0	5.0	1750	200	2900	BD 5.0/30 U	25
		3400	200	2900	BL 5.0/30 W	27
		3400	250	3625	BKL 5.0/36 W	29
19.5	5.2	1000	1000	14500	VY-B 20/1000 R	58
		1200	1000	14500	VY-F 20/1000 R	58
		1000	800	11600	VY-B 20/800 R	58
20.0	5.3	1200	800	11600	VY-F 20/800 R	58
		1450	150	2175	MWTC 20/15 S	69
		1450	250	3625	BKC 20/25 S	28
		1450	500	7250	CHC 20/50 S	40
		1450	200	2900	MSC 20/20 S	63
		1750	200	2900	CD 5.5/30 S	30
		1750	300	4350	CKD 5.5/44 S	35
20.8	5.5	1000	200	2900	CB 21/20 S	30
		1000	500	7250	PENTA-B 21/500 R	52
		1450	150	2175	BC 21/15 S	24
		1450	200	2900	BC 21/20 S	24
		1450	200	2900	CC 21/20 S	30
21.0	5.5	1450	300	4350	CKC 21/30 S	35
		1450	350	5075	CKC 21/36 S	34
		1450	500	7250	CXC 22/50 S	38
		1450	350	5075	CKD 6.0/51 S	34
		1750	200	2900	BD 6.0/30 S	24
22.0	5.8	1000	300	4350	NX-B 25/300 R	41
		1750	800	11600	VY-D 24/800 R	58
22.7	6.0	1000	800	11600	VY-B 25/800 R	58
24.0	6.3	1000	350	5075	PENTA-B 25/350 R	50
		1000	400	5800	PENTA-B 25/400 R	50
25.0	6.6	1000	200	2900	CB 26/20 S	32
		1450	200	2900	CC 26/20 S	30
		1450	300	4350	CKC 26/30 S	35
26.0	6.9	1750	200	2900	CD 7.0/30 S	30
26.5	7.0	1450	200	2900	CSC 27/20 S	64
		1450	200	2900	CWTC 27/20 S	70
27.0	7.1	1750	200	2900	CD 7.5/30 S	30
		1750	500	7250	PENTA-D 28/500 R	52
28.0	7.4	1750	300	4350	CKD 7.5/44 S	35
28.4	7.5	1000	200	2900	CB 30/20 S	32
		1000	280	4060	NX-B 30/280 R	41
		1000	300	4350	PENTA-B 30/300 R	51
		1450	200	2900	CC 30/20 S	30
		1450	300	4350	CKC 30/30 S	35
30.0	7.9	1450	500	7250	PENTA-C 30/500 R	52
		1750	200	2900	CD 8.5/30 S	30
		1750	280	4060	CKD 8.5/40 S	35
		1000	200	2900	CB 34/20 S	32
		1450	200	2900	CSC 34/20 S	64
32.2	8.5	1450	200	2900	CC 34/20 S	30
		1450	200	2900	CWTC 34/20 S	70
		1450	250	3625	CKC 34/25 S	35
		1450	300	4350	NX-C 35/300 R	41

PORTATA FLOW		RPM	PRESSIONE PRESSURE		MODELLO MODEL	PAG. PAGE
l/min	GPM		bar	PSI		
35.0	9.2	1450	350	5075	PENTA-C 35/350 R	50
		1450	400	5800	PENTA-C 35/400 R	50
36.0	9.5	1750	200	2900	CD 9.5/30 S	31
		1750	250	3625	CKD 9.5/36 S	36
38.0	10.0	1000	200	2900	NX-B 38/200 R	42
		1450	170	2465	CC 38/17 S	32
		1450	200	2900	CKC 38/20 S	36
39.0	10.3	1000	250	3625	PENTA-B 40/250 R	51
40.0	10.6	1000	300	4350	PENTA-B 40/300 R	51
		1000	500	7250	VH-B 40/500 R	57
41.5	11.0	1750	170	2465	CD 11.0/25 S	31
		1750	220	3190	CKD 11.0/32 S	35
		1750	300	4350	NX-D 11.0/44 R	41
43.0	11.4	1450	300	4350	PENTA-C 43/300 R	51
44.0	11.6	1450	170	2465	CSC 42/17 S	65
		1450	170	2465	CC 42/17 S	33
		1450	170	2465	CWTC 42/17 S	71
		1450	200	2900	CKC 42/20 S	37
		1450	280	4060	NX-C 44/280 R	41
45.5	12.0	1750	150	2175	CD 12.0/22 S	31
		1750	200	2900	CKD 12.0/30 S	37
49.0	12.9	1000	200	2900	PENTA-B 50/200 R	51
50.0	13.2	1450	150	2175	CSC 50/15 S	65
		1450	150	2175	CC 50/15 S	33
		1450	150	2175	CWTC 50/15 S	71
		1450	200	2900	CKC 50/20 S	37
52.0	13.7	1000	150	2175	NX-B 52/150 R	42
53.0	14.0	1750	250	3625	NX-D 14.0/36 R	41
56.0	14.8	1450	200	2900	NX-C 55/200 R	42
57.0	15.1	1450	250	3625	PENTA-C 55/250 R	51
58.0	15.3	1450	300	4350	PENTA-C 58/300 R	51
60.0	15.9	1000	350	5075	VX-B 60/350 R	55
		600	50	725	GAMMA 62 TS 1C	44
67.0	17.7	600	50	725	GAMMA 62 TS 2C	44
		600	50	725	GAMMA 62 TS GR	44
		1750	200	2900	NX-D 18.0/30 R	42
68.1	18.0	1000	120	1740	NX-B 70/120 R	42
70.0	18.5	1450	150	2175	CXC 70/15 S	39
71.0	18.8	1450	200	2900	PENTA-C 70/200 R	51
75.0	19.8	1000	280	4060	VX-B 75/280 R	55
		1450	120	1740	NXS-C 75/120 R	66
		1450	150	2175	NX-C 75/150 R	42
84.0	22.2	600	60	870	GAMMA 85 TS 1C	45
		600	60	870	GAMMA 85 TS 2C	45
		600	100	1450	GAMMA-IL 83 TS 1C	48
85.0	22.5	1450	120	1740	NX-C 85/120 R	42
		1450	120	1740	NXS-C 85/120 R	66
98.0	25.9	1000	200	2900	VX-B 100/200 R	54
		1000	200	2900	VXS-B 100/200 R	67
100.0	26.4	1000	100	1450	NX-B 100/100 R	43
		1450	150	2175	NX-C 100/150 R	42
		1450	100	1450	NXS-C 100/150 R	66
		1450	200	2900	VX-C 100/200 R	54
106.5	28.1	600	60	870	GAMMA 105 TS 1C	48
		600	60	870	GAMMA 105 TS 2C	48
		600	100	1450	GAMMA-IL 103 TS 1C	48
125.0	33.0	1000	160	2320	VX-B 130/160 R	54
		1000	160	2320	VXS-B 130/160 R	67
		1000	220	3190	VXX-B 130/220 R	59
128.0	33.8	800	300	4350	HX-A 135/300 R	60
		1500	300	4350	HXR1-C 135/300 R	61
		1800	300	4350	HXR1-D 135/300 R	61
		2200	300	4350	HXR1-M 135/300 R	61
133.0	35.1	600	60	870	GAMMA 125 TS 1C	45
		600	60	870	GAMMA 125 TS 2C	45
143.0	37.8	1450	100	1450	NX-C 145/100 R	43

PORTATA FLOW		RPM	PRESSIONE PRESSURE		MODELLO MODEL	PAG. PAGE
l/min	GPM		bar	PSI		
147.5	39.0	600	50	725	GAMMA 155 TS 2C	46
155.0	41.0	800	110	1595	VX-A 161/110 R	54
157.0	41.5	1000	130	1885	VX-B 160/130 R	54
		1000	130	1885	VXS-B 160/130 R	67
		1000	180	2610	VXX-B 160/180 R	59
162.0	42.8	800	240	3480	HX-A 160/240 R	60
		1500	240	3480	HXR1-C 160/240 R	61
		1800	240	3480	HXR1-D 160/240 R	61
		2200	240	3480	HXR1-M 160/240 R	61
		163.0	43.1	600	80	1160
164.0	43.3	600	60	870	GAMMA 162 TS 1C	47
		600	60	870	GAMMA 162 TS 2C	47
199.0	52.6	1000	100	1450	VX-B 200/100 R	54
		1000	150	2175	VXX-B 200/150 R	59
201.0	53.1	800	200	2900	HX-A 200/200 R	60
		1500	200	2900	HXR1-C 200/200 R	61
		1800	200	2900	HXR1-D 200/200 R	61
		2200	200	2900	HXR1-M 200/200 R	61
202.0	54.4	600	80	1160	GAMMA-IL 200 TS 1C	49
208.0	55.0	600	60	870	GAMMA 202 TS 1C	47
		600	60	870	GAMMA 202 TS 2C	47
240.0	63.4	550	60	870	GAMMA 242 TS 1C	47
		550	60	870	GAMMA 242 TS 2C	47
254.0	67.1	800	160	2320	HX-A 250/160 R	60
		1500	160	2320	HXR1-C 250/160 R	61
		1800	160	2320	HXR1-D 250/160 R	61
		2200	160	2320	HXR1-M 250/160 R	61
260.0	68.7	800	60	870	VX6-A 260/60 TS 1C	56
313.0	82.7	800	130	1885	HX-A 310/130 R	60
		1500	130	1885	HXR1-C 310/130 R	61
		1800	130	1885	HXR1-D 310/130 R	61
329.3	87.0	2200	130	1885	HXR1-M 310/130 R	61
		800	50	725	VX6-A 330/50 TS 1C	56
		800	100	1450	HX-A 400/100 R	60
379.0	100.0	1500	100	1450	HXR1-C 400/100 R	61
		1800	100	1450	HXR1-D 400/100 R	61
		2200	100	1450	HXR1-M 400/100 R	61
411.7	108.8	800	40	580	VX6-A 410/40 TS 1C	56

PRESSIONE PRESSURE		RPM	PORTATA FLOW		MODELLO MODEL	PAG. PAGE		
bar	PSI		l/min	GPM				
40	580	800	411.7	108.8	VX6-A 410/40 TS 1C	56		
		600	67.0	17.7	GAMMA 62 TS 1C	44		
50	725	600	67.0	17.7	GAMMA 62 TS 2C	44		
		600	67.0	17.7	GAMMA 62 TS GR	44		
		600	147.5	39.0	GAMMA 155 TS 2C	46		
		800	329.3	87.0	VX6-A 330/50 TS 1C	56		
		550	240.0	63.4	GAMMA 242 TS 1C	47		
60	870	550	240.0	63.4	GAMMA 242 TS 2C	47		
		600	84.0	22.2	GAMMA 85 TS 1C	45		
		600	84.0	22.2	GAMMA 85 TS 2C	45		
		600	106.5	28.1	GAMMA 105 TS 1C	48		
		600	106.5	28.1	GAMMA 105 TS 2C	48		
		600	133.0	35.1	GAMMA 125 TS 1C	45		
		600	133.0	35.1	GAMMA 125 TS 2C	45		
		600	164.0	43.3	GAMMA 162 TS 1C	47		
		600	164.0	43.3	GAMMA 162 TS 2C	47		
		600	208.0	55.0	GAMMA 202 TS 1C	47		
		600	208.0	55.0	GAMMA 202 TS 2C	47		
		800	260.0	68.7	VX6-A 260/60 TS 1C	56		
		80	1160	600	163.0	43.1	GAMMA-IL 160 TS 1C	49
				600	202.0	54.4	GAMMA-IL 200 TS 1C	49
		100	1450	600	84.0	22.2	GAMMA-IL 83 TS 1C	48
600	106.5			28.1	GAMMA-IL 103 TS 1C	48		
800	379.0			100.0	HX-A 400/100 R	60		
1000	100.0			26.4	NX-B 100/100 R	43		
1000	199.0			52.6	VX-B 200/100 R	54		
1450	2.0			0.5	PNC 02/10 S	13		
1450	4.0			1.1	PNC 04/10 S	13		
1450	6.0			1.6	PNC 06/10 S	13		
1450	100.0			26.4	NXS-C 100/150 R	66		
1450	143.0			37.8	NX-C 145/100 R	43		
1500	379.0			100.0	HXR1-C 400/100 R	61		
1800	379.0			100.0	HXR1-D 400/100 R	61		
2200	379.0			100.0	HXR1-M 400/100 R	61		
110	1595			800	155.0	41.0	VX-A 161/110 R	54
				1450	9.0	2.4	PNC 09/11 S	13
		1450	11.0	2.9	PNC 11/11 S	13		
120	1740	1000	70.0	18.5	NX-B 70/120 R	42		
		1450	13.0	3.4	PNC 13/12 S	13		
		1450	75.0	19.8	NXS-C 75/120 R	66		
		1450	85.0	22.5	NX-C 85/120 R	42		
		1450	85.0	22.5	NXS-C 85/120 R	66		
130	1885	2800	13.0	3.4	PNE 13/12 S	13		
		800	313.0	82.7	HX-A 310/130 R	60		
		1000	157.0	41.5	VX-B 160/130 R	54		
		1000	157.0	41.5	VXS-B 160/130 R	67		
		1500	313.0	82.7	HXR1-C 310/130 R	61		
		1800	313.0	82.7	HXR1-D 310/130 R	61		
140	2030	2200	313.0	82.7	HXR1-M 310/130 R	61		
		1450	12.0	3.2	PNC 12/14 I	16		
		1750	7.6	2.0	PND 2.0/20 S	13		
		1750	7.6	2.0	PND 2.0/20 Z	15		
		1750	9.5	2.5	PND 2.5/20 S	13		
		1750	11.4	3.0	PND 3.0/20 S	13		
		1750	11.4	3.0	PND 3.0/20 Z	15		
		1750	13.2	3.5	PND 3.5/20 S	13		
		1750	13.2	3.5	PND 3.5/20 Z	15		
		1750	15.0	4.0	PND 4.0/20 S	13		
		1750	15.0	4.0	PND 4.0/20 Z	15		
		1750	15.0	4.0	PND 4.0/20 T MI	19		
		1750	15.5	4.1	BD 4.0/20 S	24		
		1750	15.5	4.1	BD 4.0/20 U	25		
		2800	8.0	2.1	PNE 08/14 S	13		
		2800	11.0	2.9	PNE 11/14 S	13		
		3400	9.5	2.5	PNL 2.5/20 T	17		
		3400	11.4	3.0	PNL 3.0/20 T	17		

PRESSIONE PRESSURE		RPM	PORTATA FLOW		MODELLO MODEL	PAG. PAGE		
bar	PSI		l/min	GPM				
150	2175	1000	52.0	13.7	NX-B 52/150 R	42		
		1000	199.0	52.6	VXX-B 200/150 R	59		
		1450	5.7	1.5	PSC 06/15 S	62		
		1450	11.0	2.9	PSC 11/15 S	62		
		1450	11.0	2.9	PKWTC 11/15 S	68		
		1450	13.0	3.4	PNC 13/15 S	14		
		1450	13.0	3.4	PSC 13/15 S	62		
		1450	13.0	3.4	PKWTC 13/15 S	68		
		1450	15.0	4.0	PKC 15/15 S	20		
		1450	15.0	4.0	BC 15/15 S	24		
		1450	16.0	4.2	MWTC 16/15 S	69		
		1450	20.0	5.3	MWTC 20/15 S	69		
		1450	21.0	5.5	BC 21/15 S	24		
		1450	50.0	13.2	CC 50/15 S	33		
		150	2175	1450	50.0	13.2	CSC 50/15 S	65
1450	50.0			13.2	CWTC 50/15 S	71		
1450	70.0			18.5	CXC 70/15 S	39		
1450	75.0			19.8	NX-C 75/150 R	42		
1450	100.0			26.4	NX-C 100/150 R	42		
1750	45.5			12.0	CD 12.0/22 S	31		
2800	13.0			3.4	PNE 13/15 S	14		
3400	13.2			3.5	PNL 3.5/22 T	18		
160	2320			800	254.0	67.1	HX-A 250/160 R	60
				1000	125.0	33.0	VX-B 130/160 R	54
		1000	125.0	33.0	VXS-B 130/160 R	67		
		1500	254.0	67.1	HXR1-C 250/160 R	61		
		1800	254.0	67.1	HXR1-D 250/160 R	61		
		2200	254.0	67.1	HXR1-M 250/160 R	61		
		1450	9.0	2.4	PNC 09/17 S	14		
170	2465	1450	11.0	2.9	PKC 11/17 S	20		
		1450	13.0	3.4	PKC 13/17 S	20		
		1450	38.0	10.0	CC 38/17 S	32		
		1450	44.0	11.6	CC 42/17 S	33		
		1450	44.0	11.6	CSC 42/17 S	65		
		1450	44.0	11.6	CWTC 42/17 S	71		
		1750	15.0	4.0	PKD 4.0/25 U	21		
		1750	41.5	11.0	CD 11.0/25 S	31		
		3400	11.4	3.0	PNL 3.0/25 T	18		
		180	2610	1000	157.0	41.5	VXX-B 160/180 R	59

PRESSIONE PRESSURE		RPM	PORTATA FLOW		MODELLO MODEL	PAG. PAGE
bar	PSI		l/min	GPM		
200	2900	800	201.0	53.1	HX-A 200/200 R	60
		1000	21.0	5.5	CB 21/20 S	30
		1000	26.0	6.9	CB 26/20 S	32
		1000	30.0	7.9	CB 30/20 S	32
		1000	34.0	9.0	CB 34/20 S	32
		1000	38.0	10.0	NX-B 38/200 R	42
		1000	49.0	12.9	PENTA-B 50/200 R	51
		1000	98.0	25.9	VX-B 100/200 R	54
		1000	98.0	25.9	VXS-B 100/200 R	67
		1450	9.0	2.4	PKC 09/20 S	20
		1450	10.0	2.6	PKC 10/20 S	20
		1450	13.0	3.4	BC 13/20 S	24
		1450	13.0	3.4	BC 13/20 I	24
		1450	14.0	3.7	PKC 14/20 Z MI	23
		1450	15.0	4.0	BC 15/20 S	24
		1450	15.0	4.0	BC 15/20 I	26
		1450	16.0	4.2	MSC 16/20 S	63
		1450	18.5	4.9	BC 18/20 I	26
		1450	18.5	4.9	BC 18/20 S	24
		1450	20.0	5.3	MSC 20/20 S	63
		1450	21.0	5.5	BC 21/20 S	24
		1450	21.0	5.5	CC 21/20 S	30
		1450	26.0	6.9	CC 26/20 S	30
		1450	27.0	7.1	CSC 27/20 S	64
		1450	27.0	7.1	CWTC 27/20 S	70
		1450	30.0	7.9	CC 30/20 S	30
		1450	34.0	9.0	CC 34/20 S	30
		1450	34.0	9.0	CSC 34/20 S	64
		1450	34.0	9.0	CWTC 34/20 S	70
		1450	38.0	10.0	CKC 38/20 S	36
		1450	44.0	11.6	CKC 42/20 S	37
		1450	50.0	13.2	CKC 50/20 S	37
		1450	56.0	14.8	NX-C 55/200 R	42
		1450	71.0	18.8	PENTA-C 70/200 R	51
		1450	100.0	26.4	VX-C 100/200 R	54
		1500	201.0	53.1	HXR1-C 200/200 R	61
		1750	15.5	4.1	BD 4.0/30 S	24
		1750	15.5	4.1	BD 4.0/30 U	25
		1750	18.2	4.8	BD 5.0/30 S	24
		1750	19.0	5.0	BD 5.0/30 U	25
		1750	20.8	5.5	CD 5.5/30 S	30
		1750	22.7	6.0	BD 6.0/30 S	24
		1750	26.5	7.0	CD 7.0/30 S	30
		1750	28.0	7.4	CD 7.5/30 S	30
		1750	32.2	8.5	CD 8.5/30 S	30
		1750	36.0	9.5	CD 9.5/30 S	31
		1750	45.5	12.0	CKD 12.0/30 S	37
		1750	68.1	18.0	NX-D 18.0/30 R	42
		1800	201.0	53.1	HXR1-D 200/200 R	61
		2200	201.0	53.1	HXR1-M 200/200 R	61
3400	11.4	3.0	PKL 3.0/30 W	22		
3400	13.2	3.5	PKL 3.5/30 W	22		
3400	15.0	4.0	PKL 4.0/30 W	22		
3400	15.5	4.1	BL 4.0/30 W	27		
3400	19.0	5.0	BL 5.0/30 W	27		
220	3190	1000	125.0	33.0	VXX-B 130/220 R	59
		1750	41.5	11.0	CKD 11.0/32 S	35
240	3480	800	162.0	42.8	HX-A 160/240 R	60
		1500	162.0	42.8	HXR1-C 160/240 R	61
		1800	162.0	42.8	HXR1-D 160/240 R	61
		2200	162.0	42.8	HXR1-M 160/240 R	61
250	3625	1000	39.0	10.3	PENTA-B 40/250 R	51
		1450	15.0	4.0	BKC 15/25 S	28
		1450	18.5	4.9	BKC 18/25 S	28
		1450	20.0	5.3	BKC 20/25 S	28
		1450	34.0	9.0	CKC 34/25 S	35
		1750	36.0	9.5	CKD 9.5/36 S	36
		1450	57.0	15.1	PENTA-C 55/250 R	51
		1750	18.2	4.8	BKD 5.0/36 S	28
		1750	53.0	14.0	NX-D 14.0/36 R	41
		3400	15.0	4.0	BKL 4.0/36 W	29
		3400	19.0	5.0	BKL 5.0/36 W	29

PRESSIONE PRESSURE		RPM	PORTATA FLOW		MODELLO MODEL	PAG. PAGE
bar	PSI		l/min	GPM		
280	4060	1000	30.0	7.9	NX-B 30/280 R	41
		1000	75.0	19.8	VX-B 75/280 R	55
		1450	44.0	11.6	NX-C 44/280 R	41
		1750	32.2	8.5	CKD 8.5/40 S	35
		800	128.0	33.8	HX-A 135/300 R	60
		1000	24.0	6.3	NX-B 25/300 R	41
300	4350	1000	30.0	7.9	PENTA-B 30/300 R	51
		1000	40.0	10.6	PENTA-B 40/300 R	51
		1450	13.0	3.4	BKC 13/30 S	28
		1450	15.0	4.0	BKC 15/30 S	28
		1450	17.0	4.5	CKC 17/30 S	35
		1450	21.0	5.5	CKC 21/30 S	35
		1450	26.0	6.9	CKC 26/30 S	35
		1450	30.0	7.9	CKC 30/30 S	35
		1450	34.0	9.0	NX-C 35/300 R	41
		1450	43.0	11.4	PENTA-C 43/300 R	51
		1450	58.0	15.3	PENTA-C 58/300 R	51
		1500	128.0	33.8	HXR1-C 135/300 R	61
		1750	15.0	4.0	BKD 4.0/44 S	28
		1750	20.8	5.5	CKD 5.5/44 S	35
		1750	28.4	7.5	CKD 7.5/44 S	35
		1750	41.5	11.0	NX-D 11.0/44 R	41
		1800	128.0	33.8	HXR1-D 135/300 R	61
		2200	128.0	33.8	HXR1-M 135/300 R	61
3400	15.0	4.0	BKL 4.0/44 W	29		
350	5075	1000	25.0	6.6	PENTA-B 25/350 R	50
		1000	60.0	15.9	VX-B 60/350 R	55
		1450	17.0	4.5	CKC 17/36 S	34
		1450	21.0	5.5	CKC 21/36 S	34
		1450	22.7	6.0	CKD 6.0/51 S	34
		1450	35.0	9.2	PENTA-C 35/350 R	50
		1750	13.4	3.5	CKD 3.5/51 S	34
		1750	17.0	4.5	CKD 4.5/51 S	34
		1000	25.0	6.6	PENTA-B 25/400 R	50
		1450	35.0	9.2	PENTA-C 35/400 R	50
		1000	21.0	5.5	PENTA-B 21/500 R	52
		1000	40.0	10.6	VH-B 40/500 R	57
500	7250	1450	12.0	3.2	CHC 12/50 S	40
		1450	15.0	4.0	CXC 15/50 S	38
		1450	16.0	4.2	CHC 16/50 S	40
		1450	18.0	4.8	CXC 18/50 S	38
		1450	20.0	5.3	CHC 20/50 S	40
		1450	22.0	5.8	CXC 22/50 S	38
		1450	30.0	7.9	PENTA-C 30/500 R	52
		1750	11.5	3.0	CHD 3.0/75 S	40
		1750	16.0	4.2	CHD 4.5/75 S	40
		1750	28.0	7.4	PENTA-D 28/500 R	52
		1000	20.0	5.3	VY-B 20/800 R	58
		1000	24.5	6.5	VY-B 25/800 R	58
800	11600	1200	20.0	5.3	VY-F 20/800 R	58
		1750	24.0	6.3	VY-D 24/800 R	58
		1000	14.6	3.9	VY-B 15/1000 R	58
		1000	19.5	5.2	VY-B 20/1000 R	58
		1200	15.0	4.0	VY-F 15/1000 R	58
		1450	15.0	4.0	VY-C 15/1000 R	58
		1450	18.6	4.9	VY-C 19/1000 R	58
		1750	15.5	4.1	VY-D 15/1000 R	58
		1750	18.1	4.8	VY-D 18/1000 R	58
		1200	19.5	5.2	VY-F 20/1000 R	58
		1000	14.1	3.7	VY-B 14/1250 R	58
		1250	18130	1200	14.5	3.8

### Pompe a Pistoni *Plunger Pumps*

serie/series <b>PN</b>	13/19
serie/series <b>PK</b>	20/23
serie/series <b>B</b>	24/27
serie/series <b>BK</b>	28/29
serie/series <b>C</b>	30/33
serie/series <b>CK</b>	34/37
serie/series <b>CX</b>	38/39
serie/series <b>CH</b>	40
serie/series <b>NX</b>	41/43
serie/series <b>GAMMA</b>	44/47
serie/series <b>GAMMA-IL</b>	48/49
serie/series <b>PENTA</b>	50/53
serie/series <b>VX</b>	54/55
serie/series <b>VX6</b>	56
serie/series <b>VH</b>	57
serie/series <b>VY</b>	58
serie/series <b>VXX</b>	59
serie/series <b>HX/HXR</b>	60/61
serie/series <b>PS</b> (INOX / STAINLESS STEEL)	62
serie/series <b>MS</b> (INOX / STAINLESS STEEL)	63
serie/series <b>CS</b> (INOX / STAINLESS STEEL)	64/65
serie/series <b>NXS</b> (INOX / STAINLESS STEEL)	66
serie/series <b>VXS</b> (INOX / STAINLESS STEEL)	67
serie/series <b>PKWT</b> (High Water Temperature 85°C)	68
serie/series <b>MWT</b> (High Water Temperature 85°C)	69
serie/series <b>CWT</b> (High Water Temperature 85°C)	70/71

### Gruppi, Applicazioni, Accessori *Units, Drive Options, Accessories*

Elettropompe / <i>Pump Engine Units</i>	72
Motopompe / <i>Pump Motor Units</i>	73
Gruppi Pompa con Motore Idraulico / <i>Pump and Hydraulic Motor Units</i>	74
Riduttori e Moltiplicatori / <i>Reduction and Multiplier Gear Boxes</i>	76
Accoppiamenti disponibili / <i>Mounting Options</i>	77/81
Valvole di regolazione pressione / <i>Pressure Regulators</i>	82/84
Valvole di massima pressione / <i>Safety Valve</i>	85
Accessori / <i>Accessories</i>	86/87
Tabella di scelta ugelli / <i>Nozzles selection chart</i>	88/89
UDOR nel mondo / <i>UDOR in the world</i>	91



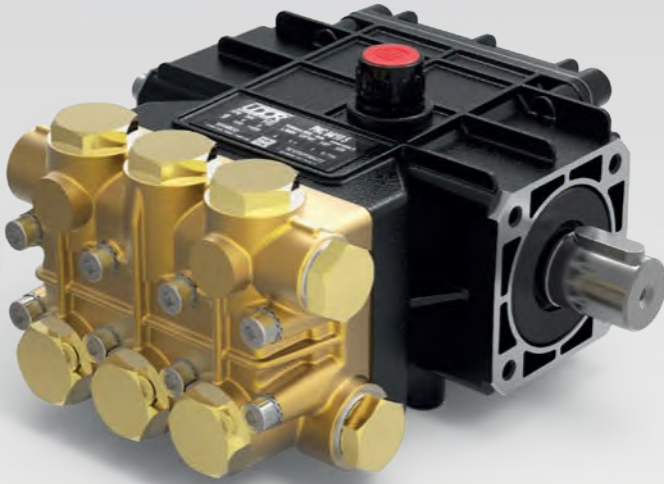
Tutti i modelli di Pompe della serie PN sono disponibili con Testata in Alluminio per pressioni fino a 90 bar (1300 PSI).

All models of PN Pumps are available with Aluminium Head for pressure up to 90 bar (1300 PSI).



Alcuni modelli di Pompe delle serie PN sono disponibili con Valvola di regolazione (e dosatore) incorporata nella testata. Nella descrizione della Pompa viene aggiunta una "V" alla fine. Esempio d'ordine: PNC 13/12 S diventa PNC 13/12 S-V. Per informazioni su prezzi e codici per favore contattare l'azienda.

Some Pump models of PN serie are available with built-in Unloader valve (and injector). The model description takes a "V" at the end. For example: PNC 13/12 S becomes PNC 13/12 S-V. For price and code information please contact us.



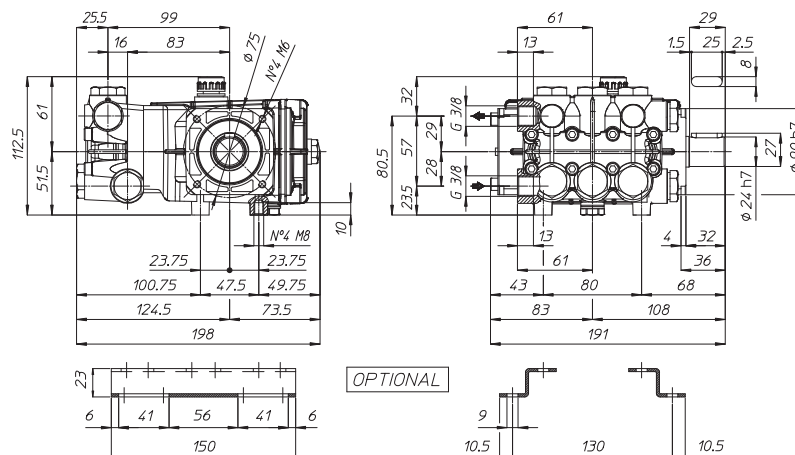
RPM	CODICE CODE	MODELLO MODEL	PORTATA FLOW		PRESSIONE PRESSURE		POTENZA POWER		PESO WEIGHT
			l/min	GPM	bar	PSI	HP	kW	
1450	273100	PNC 02/10 S	2.0	0.5	100	1450	0.5	0.4	5.3
	959800	PNC 04/10 S	4.0	1.1	100	1450	1.0	0.7	5.3
	959900	PNC 06/10 S	6.0	1.6	100	1450	1.5	1.1	5.3
	950600	PNC 09/11 S	9.0	2.4	110	1595	2.5	1.9	5.3
	950200	PNC 11/11 S	11.0	2.9	110	1595	3.1	2.3	5.3
	950700	PNC 13/12 S	13.0	3.4	120	1740	4.0	3.0	5.3
1750	949700	PND 2.0/20 S	7.6	2.0	140	2030	2.7	2.0	5.3
	271000	PND 2.5/20 S	9.5	2.5	140	2030	3.4	2.5	5.3
	951100	PND 3.0/20 S	11.4	3.0	140	2030	4.1	3.1	5.3
	950500	PND 3.5/20 S	13.2	3.5	140	2030	4.7	3.5	5.3
	951300	PND 4.0/20 S	15.0	4.0	140	2030	5.4	4.0	5.3
2800	949200	PNE 08/14 S	8.0	2.1	140	2030	2.9	2.2	5.3
	949600	PNE 11/14 S	11.0	2.9	140	2030	3.9	2.9	5.3
	949900	PNE 13/12 S	13.0	3.4	120	1740	4.0	3.0	5.3

S - Albero MASCHIO 24 mm DX  
S - MALE Shaft 24 mm RIGHT

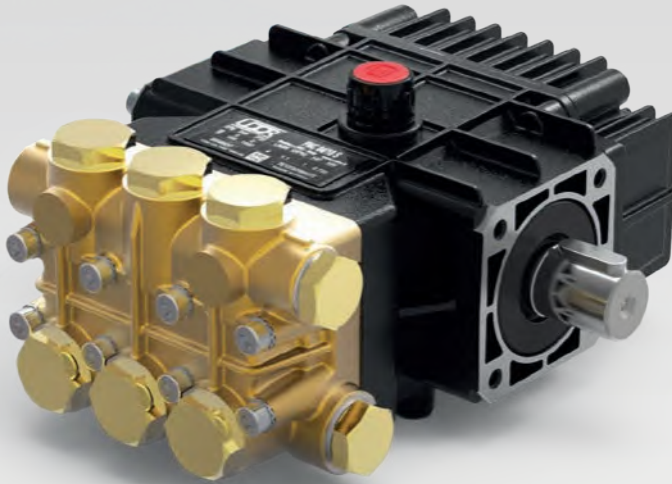
Tutti i modelli di Pompe sono disponibili con Presa di Forza Sinistra. Nel Modello compare "-L". Esempio : PNC 04/10 S-L

All models of PUMPS are available with Left P.T.O. Shaft. Descriptions mention "-L". For example : PNC 04/10 S-L

### Dimensioni d'ingombro (mm) - Overall Dimensions (mm)



# PN



Tutti i modelli di Pompe della serie PN sono disponibili con Testata in Alluminio per pressioni fino a 90 bar (1300 PSI).

All models of PN Pumps are available with Aluminium Head for pressure up to 90 bar (1300 PSI).



Alcuni modelli di Pompe della serie PN sono disponibili con Valvola di regolazione (e dosatore) incorporata nella testata. Nella descrizione della Pompa viene aggiunta una "V" alla fine. Esempio d'ordine: PNC 13/15 S diventa PNC 13/15 S-V. Per informazioni su prezzi e codici per favore contattare l'azienda.

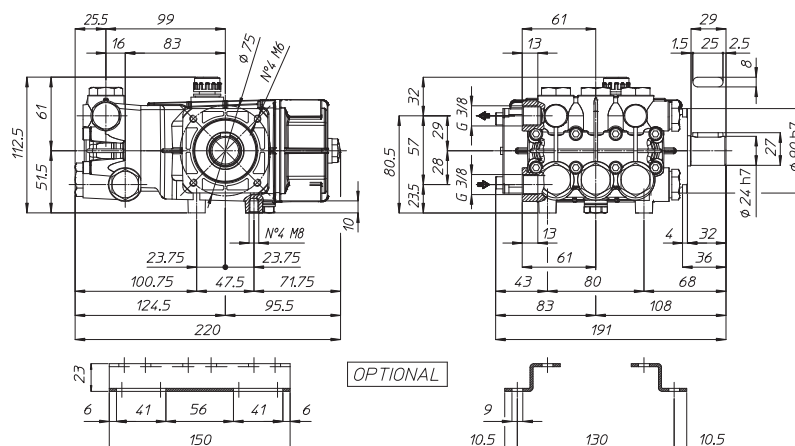
Some Pump models of PN serie are available with built-in Unloader valve (and injector). The model description takes a "V" at the end. For example: PNC 13/15 S becomes PNC 13/15 S-V. For price and code information please contact us.

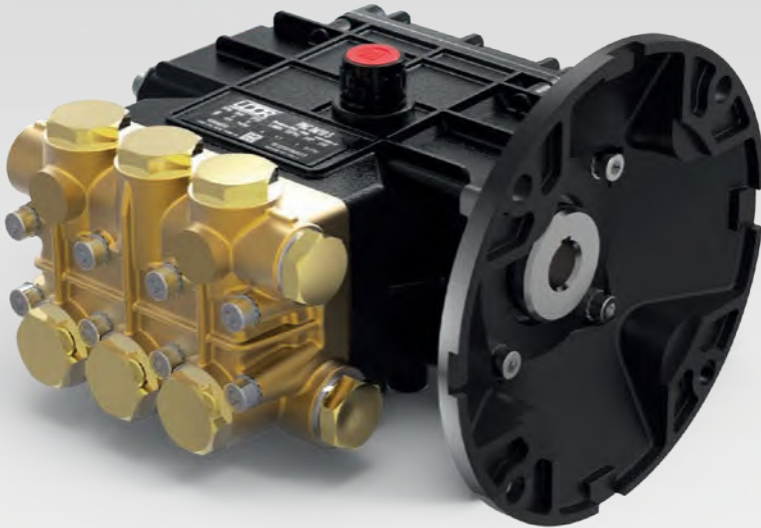
RPM	CODICE CODE	MODELLO MODEL	PORTATA FLOW		PRESSIONE PRESSURE		POTENZA POWER		PESO WEIGHT	
			l/min	GPM	bar	PSI	HP	kW		
1450	951400	PNC 09/17 S	9.0	2.4	170	2465	3.9	2.9	5.6	S - Albero MASCHIO 24 mm DX S - MALE Shaft 24 mm RIGHT
	951000	PNC 13/15 S	13.0	3.4	150	2175	5.0	3.7	5.6	
2800	950000	PNE 13/15 S	13.0	3.4	150	2175	5.0	3.7	5.6	

Tutti i modelli di Pompe sono disponibili con Presa di Forza Sinistra. Nel Modello compare "-L". Esempio : PNC 09/17 S-L

All models of PUMPS are available with Left P.T.O. Shaft. Descriptions mention "-L". For example : PNC 09/17 S-L

## Dimensioni d'ingombro (mm) - Overall Dimensions (mm)





Tutti i modelli di Pompe delle serie PN sono disponibili con Testata in Alluminio per pressioni fino a 90 bar (1300 PSI).

All models of PN Pumps are available with Aluminium Head for pressure up to 90 bar (1300 PSI).



Alcuni modelli di Pompe delle serie PN sono disponibili con Valvola di regolazione (e dosatore) incorporata nella testata. Nella descrizione della Pompa viene aggiunta una "V" alla fine. Esempio d'ordine: PND 3.0/20 Z diventa PND 3.0/20 Z-V. Per informazioni su prezzi e codici per favore contattare l'azienda.

Some Pump models of PN serie are available with built-in Unloader valve (and injector). The model description takes a "V" at the end. For example: PND 3.0/20 Z becomes PND 3.0/20 Z-V. For price and code information please contact us.

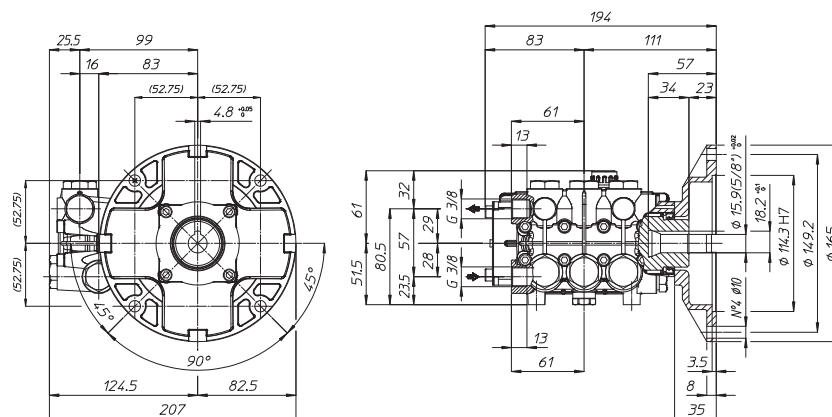
RPM	CODICE CODE	MODELLO MODEL	PORTATA FLOW		PRESSIONE PRESSURE		POTENZA POWER		PESO WEIGHT
			l/min	GPM	bar	PSI	HP	kW	
1750	952000	PND 2.0/20 Z	7.6	2.0	140	2030	2.7	2.0	5.7
	952400	PND 3.0/20 Z	11.4	3.0	140	2030	4.1	3.1	5.7
	952200	PND 3.5/20 Z	13.2	3.5	140	2030	4.7	3.5	5.7
	952700	PND 4.0/20 Z	15.0	4.0	140	2030	5.4	4.0	5.7

Z - Albero CAVO 5/8" DX  
Z - HOLLOW Shaft 5/8" RIGHT

Tutti i modelli di Pompe sono disponibili con Presa di Forza Sinistra. Nel Modello compare "-L". Esempio : PND 3.0/20 Z-L

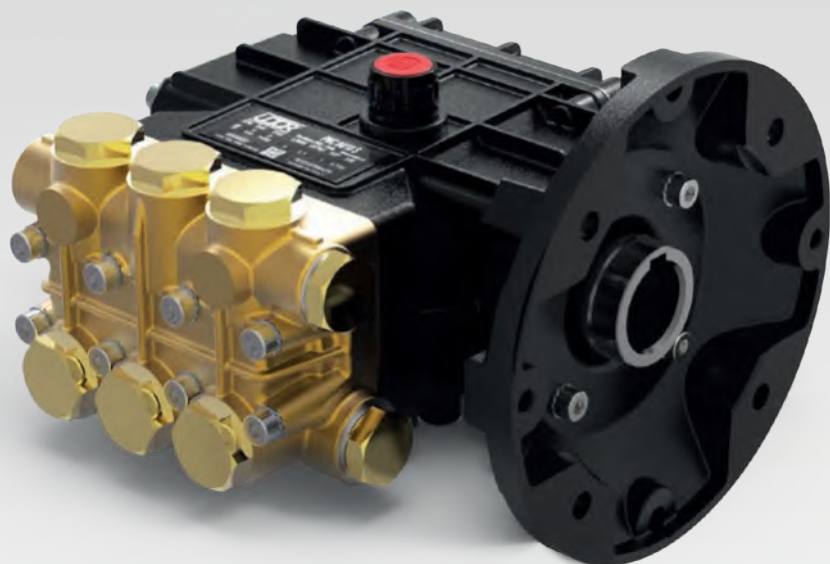
All models of PUMPS are available with Left P.T.O. Shaft. Descriptions mention "-L". For example : PND 3.0/20 Z-L

### Dimensioni d'ingombro (mm) - Overall Dimensions (mm)





# PN



Tutti i modelli di Pompe delle serie PN sono disponibili con Testata in Alluminio per pressioni fino a 90 bar (1300 PSI).

All models of PN Pumps are available with Aluminium Head for pressure up to 90 bar (1300 PSI).



Alcuni modelli di Pompe delle serie PN sono disponibili con Valvola di regolazione (e dosatore) incorporata nella testata. Nella descrizione della Pompa viene aggiunta una "V" alla fine. Esempio d'ordine: PNC 12/14 I diventa PNC 12/14 I-V. Per informazioni su prezzi e codici per favore contattare l'azienda.

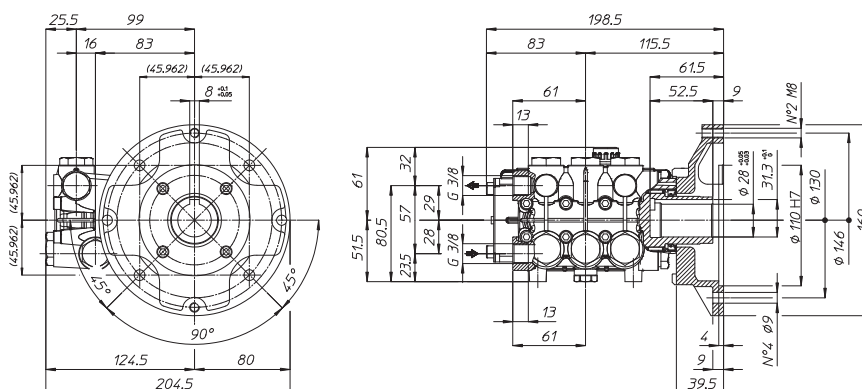
Some Pump models of PN serie are available with built-in Unloader valve (and injector). The model description takes a "V" at the end. For example: PNC 12/14 I becomes PNC 12/14 I-V. For price and code information please contact us.

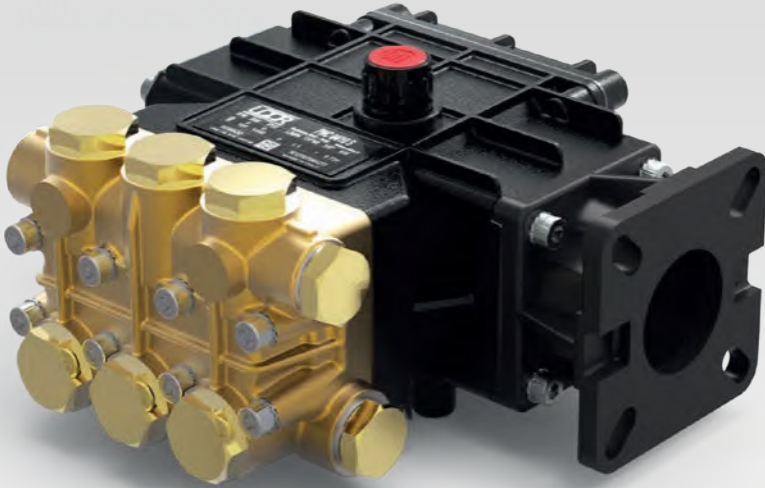
RPM	CODICE CODE	MODELLO MODEL	PORTATA FLOW		PRESSIONE PRESSURE		POTENZA POWER		PESO WEIGHT	
			l/min	GPM	bar	PSI	HP	kW		
1450	959700	PNC 12/14 I	12.0	3.2	140	2030	4.3	3.2	5.7	I - ALBERO CAVO 28 mm DX I - HOLLOW Shaft 28 mm RIGHT

Tutti i modelli di Pompe sono disponibili con Presa di Forza Sinistra. Nel Modello compare "-L". Esempio : PNC 12/14 I-L

All models of PUMPS are available with Left P.T.O. Shaft. Descriptions mention "-L". For example : PNC 12/14 I-L

## Dimensioni d'ingombro (mm) - Overall Dimensions (mm)





Tutti i modelli di Pompe delle serie PN sono disponibili con Testata in Alluminio per pressioni fino a 90 bar (1300 PSI).

All models of PN Pumps are available with Aluminium Head for pressure up to 90 bar (1300 PSI).



Alcuni modelli di Pompe delle serie PN sono disponibili con Valvola di regolazione (e dosatore) incorporata nella testata. Nella descrizione della Pompa viene aggiunta una "V" alla fine. Esempio d'ordine: PNL 2.5/20 T diventa PNL 2.5/20 T-V. Per informazioni su prezzi e codici per favore contattare l'azienda.

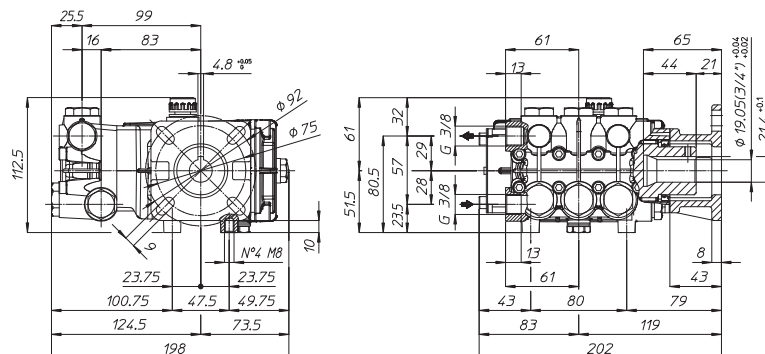
Some Pump models of PN serie are available with built-in Unloader valve (and injector). The model description takes a "V" at the end. For example: PNL 2.5/20 T becomes PNL 2.5/20 T-V. For price and code information please contact us.

RPM	CODICE CODE	MODELLO MODEL	PORTATA FLOW		PRESSIONE PRESSURE		POTENZA POWER		PESO WEIGHT	
			l/min	GPM	bar	PSI	HP	kW		
3400	955400	PNL 2.5/20 T	9.5	2.5	140	2030	3.4	2.5	5.6	T - Albero CAVO 3/4" DX
	953700	PNL 3.0/20 T	11.4	3.0	140	2030	4.1	3.1	5.6	T - HOLLOW Shaft 3/4" RIGHT

Tutti i modelli di Pompe sono disponibili con Presa di Forza Sinistra. Nel Modello compare "-L". Esempio : PNL 2.5/20 T-L

All models of PUMPS are available with Left P.T.O. Shaft. Descriptions mention "-L". For example : PNL 2.5/20 T-L

### Dimensioni d'ingombro (mm) - Overall Dimensions (mm)





Tutti i modelli di Pompe delle serie PN sono disponibili con Testata in Alluminio per pressioni fino a 90 bar (1300 PSI).

All models of PN Pumps are available with Aluminium Head for pressure up to 90 bar (1300 PSI).



Alcuni modelli di Pompe delle serie PN sono disponibili con Valvola di regolazione (e dosatore) incorporata nella testata. Nella descrizione della Pompa viene aggiunta una "V" alla fine. Esempio d'ordine: PNL 3.0/25 T diventa PNL 3.0/25 T-V. Per informazioni su prezzi e codici per favore contattare l'azienda.

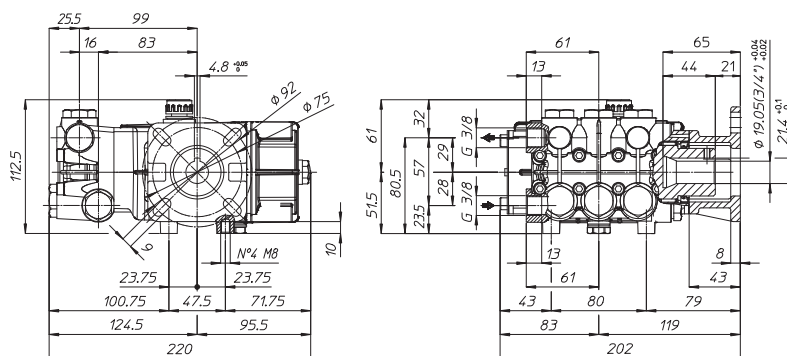
Some Pump models of PN serie are available with built-in Unloader valve (and injector). The model description takes a "V" at the end. For example: PNL 3.0/25 T becomes PNL 3.0/25 T-V. For price and code information please contact us.

RPM	CODICE CODE	MODELLO MODEL	PORTATA FLOW		PRESSIONE PRESSURE		POTENZA POWER		PESO WEIGHT	
			l/min	GPM	bar	PSI	HP	kW		
3400	953900	PNL 3.0/25 T	11.4	3.0	170	2465	5.0	3.7	6.0	T - Albero CAVO 3/4" DX
	955500	PNL 3.5/22 T	13.2	3.5	150	2175	5.1	3.8	6.0	T - HOLLOW Shaft 3/4" RIGHT

Tutti i modelli di Pompe sono disponibili con Presa di Forza Sinistra. Nel Modello compare "-L". Esempio : PNL 3.0/25 T-L

All models of PUMPS are available with Left P.T.O. Shaft. Descriptions mention "-L". For example : PNL 3.0/25 T-L

## Dimensioni d'ingombro (mm) - Overall Dimensions (mm)





Tutti i modelli di Pompe delle serie PN sono disponibili con Testata in Alluminio per pressioni fino a 90 bar (1300 PSI).

*All models of PN Pumps are available with Aluminium Head for pressure up to 90 bar (1300 PSI).*



Alcuni modelli di Pompe delle serie PN sono disponibili con Valvola di regolazione (e dosatore) incorporata nella testata. Nella descrizione della Pompa viene aggiunta una "V" alla fine. Esempio d'ordine: PND 4.0/20 T MI diventa PND 4.0/20 T MI-V. Per informazioni su prezzi e codici per favore contattare l'azienda.

*Some Pump models of PN serie are available with built-in Unloader valve (and injector). The model description takes a "V" at the end. For example: PND 4.0/20 T MI becomes PND 4.0/20 T MI-V. For price and code information please contact us.*

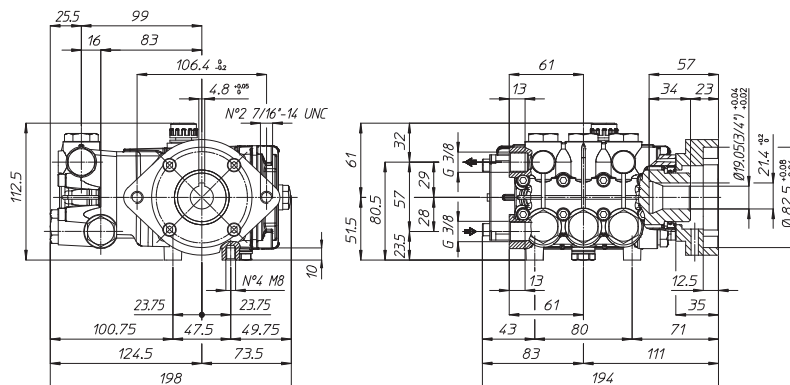


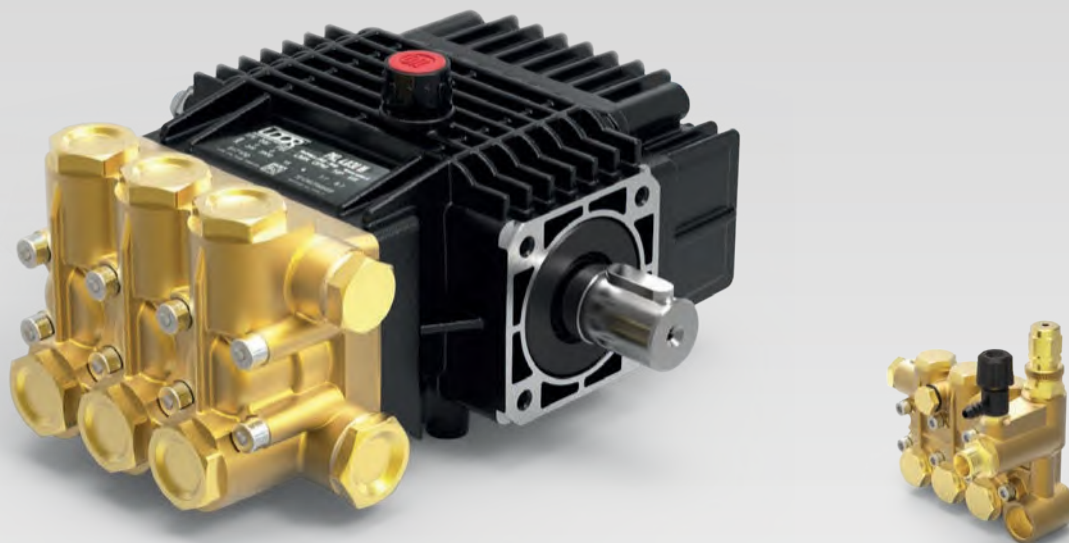
RPM	CODICE CODE	MODELLO MODEL	PORTATA FLOW		PRESSIONE PRESSURE		POTENZA POWER		PESO WEIGHT	
			l/min	GPM	bar	PSI	HP	kW		
1750	956700	PND 4.0/20 T MI	15.0	4.0	140	2030	5.4	4.0	5.6	T - Albero CAVO 3/4" DX T - HOLLOW Shaft 3/4" RIGHT

Tutti i modelli di Pompe sono disponibili con Presa di Forza Sinistra. Nel Modello compare "-L". Esempio : PND 4.0/20 T MI-L

*All models of PUMPS are available with Left P.T.O. Shaft. Descriptions mention "-L". For example : PND 4.0/20 T MI-L*

### Dimensioni d'ingombro (mm) - Overall Dimensions (mm)





Alcuni modelli di Pompa della serie PK sono disponibili con Valvola di regolazione (e dosatore) incorporata nella testata.  
 Esempio d'ordine : PKNC 13/17 S-V  
 Per informazione sui prezzi e codici per favore contattare l'azienda.

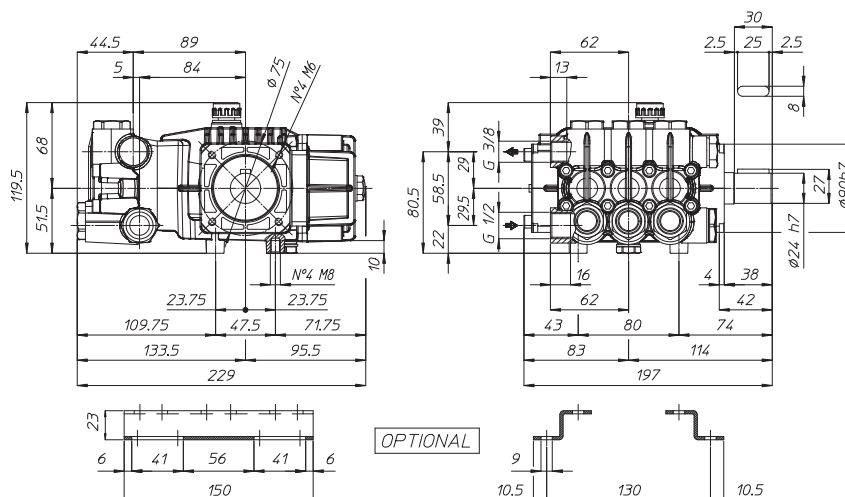
Some Pump models of PK serie are available with built-in Unloader valve (and Injector).  
 For example: PKNC 13/17 S-V  
 For price and code information please contact us.

RPM	CODICE CODE	MODELLO MODEL	PORTATA FLOW		PRESSIONE PRESSURE		POTENZA POWER		PESO WEIGHT	
			l/min	GPM	bar	PSI	HP	kW		
1450	272800	PKC 09/20 S	9.0	2.4	200	2900	4.6	3.4	6.2	S - Albero MASCHIO 24 mm DX S - MALE Shaft 24 mm RIGHT
	917600	PKC 10/20 S	10.0	2.6	200	2900	5.1	3.8	6.2	
	917500	PKC 11/17 S	11.0	2.9	170	2465	4.8	3.6	6.2	
	917400	PKC 13/17 S	13.0	3.4	170	2465	5.7	4.2	6.2	
	916700	PKC 15/15 S	15.0	4.0	150	2175	5.8	4.3	6.2	

Tutti i modelli di Pompe sono disponibili con Presa di Forza Sinistra. Nel Modello compare "-L". Esempio : PKC 13/17 S-L

All models of PUMPS are available with Left P.T.O. Shaft. Descriptions mention "-L". For example : PKC 13/17 S-L

## Dimensioni d'ingombro (mm) - Overall Dimensions (mm)





Alcuni modelli di Pompa della serie PK sono disponibili con Valvola di regolazione (e dosatore) incorporata nella testata.  
Esempio d'ordine : PKND 4.0/25 U-V  
Per informazione sui prezzi e codici per favore contattare l'azienda.

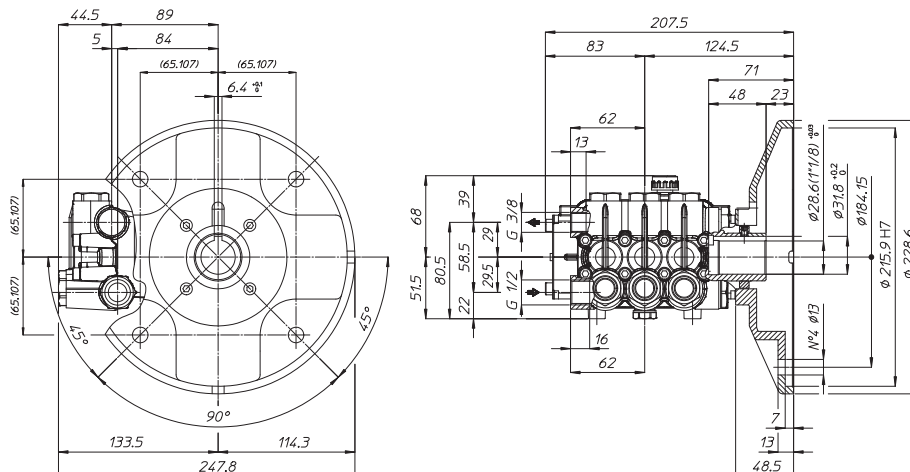
Some Pump models of PK serie are available with built-in Unloader valve (and Injector).  
For example: PKND 4.0/25 U-V  
For price and code information please contact us.

RPM	CODICE CODE	MODELLO MODEL	PORTATA FLOW		PRESSIONE PRESSURE		POTENZA POWER		PESO WEIGHT	
			l/min	GPM	bar	PSI	HP	kW		
1750	917000	PKD 4.0/25 U	15.0	4.0	170	2465	6.5	4.8	7.2	U - Albero CAVO 1"1/8 DX U - HOLLOW Shaft 1"1/8 RIGHT

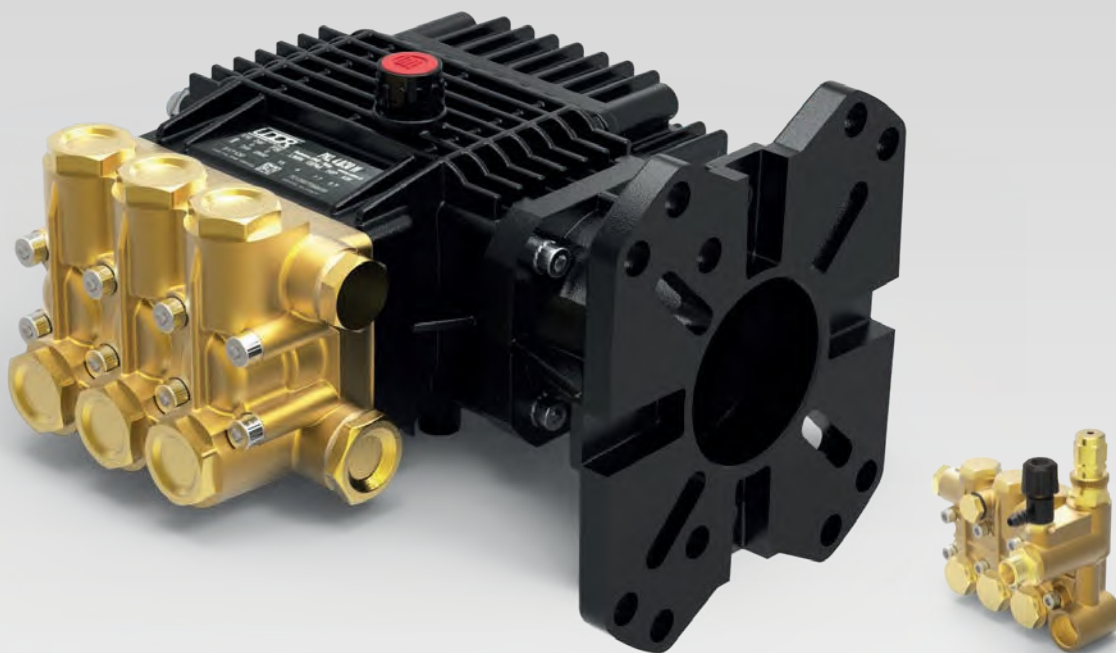
Tutti i modelli di Pompe sono disponibili con Presa di Forza Sinistra. Nel Modello compare "-L". Esempio : PKD 4.0/25 U-L

All models of PUMPS are available with Left P.T.O. Shaft. Descriptions mention "-L". For example : PKD 4.0/25 U-L

### Dimensioni d'ingombro (mm) - Overall Dimensions (mm)



# PK



Alcuni modelli di Pompa della serie PK sono disponibili con Valvola di regolazione (e dosatore) incorporata nella testata.  
Esempio d'ordine : **PKNL 30/30 W-V**  
Per informazione sui prezzi e codici per favore contattare l'azienda.

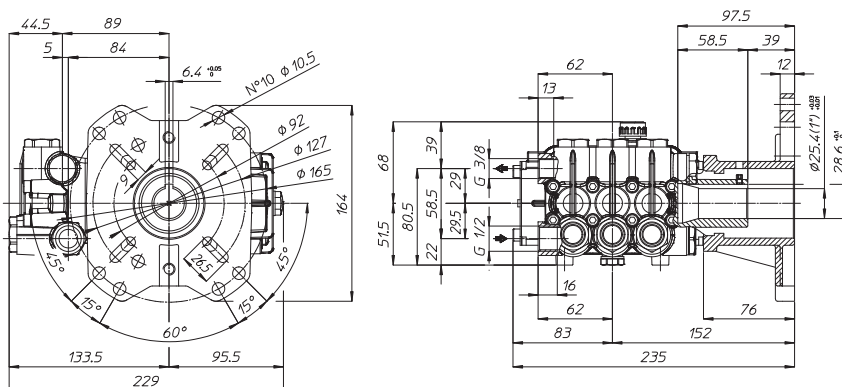
Some Pump models of PK serie are available with built-in Unloader valve (and Injector).  
For example: **PKNL 30/30 W-V**  
For price and code information please contact us.

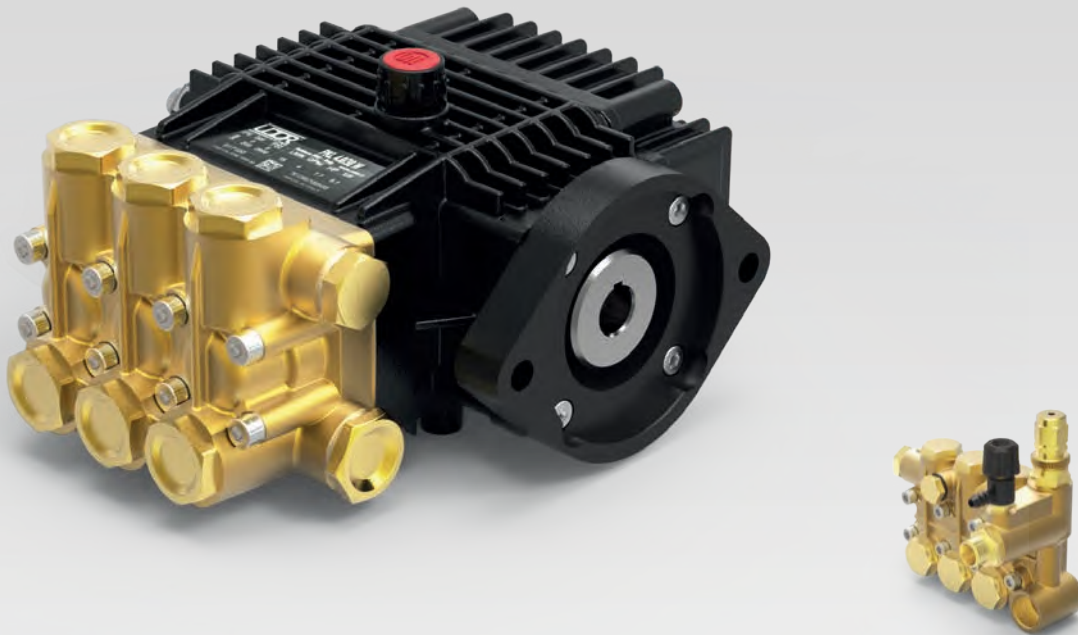
RPM	CODICE CODE	MODELLO MODEL	PORTATA FLOW		PRESSIONE PRESSURE		POTENZA POWER		PESO WEIGHT	
			l/min	GPM	bar	PSI	HP	kW		
3400	917300	PKL 3.0/30 W	11.4	3.0	200	2900	5.8	4.3	7.1	W - Albero CAVO 1" DX W - HALLOW Shaft 1" RIGHT
	917200	PKL 3.5/30 W	13.2	3.5	200	2900	6.8	5.1	7.1	
	917100	PKL 4.0/30 W	15.0	4.0	200	2900	7.7	5.7	7.1	

Tutti i modelli di Pompe sono disponibili con Presa di Forza Sinistra. Nel Modello compare "-L". Esempio : PKL 30/30 W-L

All models of PUMPS are available with Left P.T.O. Shaft. Descriptions mention "-L". For example : PKL 30/30 W-L

## Dimensioni d'ingombro (mm) - Overall Dimensions (mm)





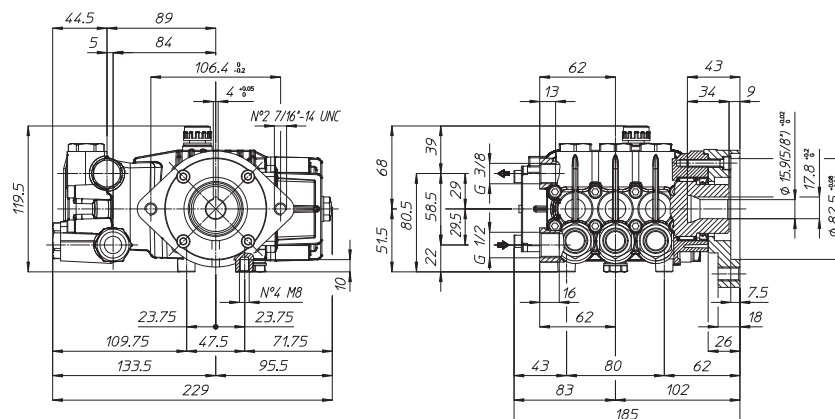
Alcuni modelli di Pompa della serie PK sono disponibili con Valvola di regolazione (e dosatore) incorporata nella testata.  
Esempio d'ordine : PKNC 14/20 Z MI-V  
Per informazione sui prezzi e codici per favore contattare l'azienda.

Some Pump models of PK serie are available with built-in Unloader valve (and Injector).  
For example: PKNC 14/20 Z MI-V  
For price and code information please contact us.

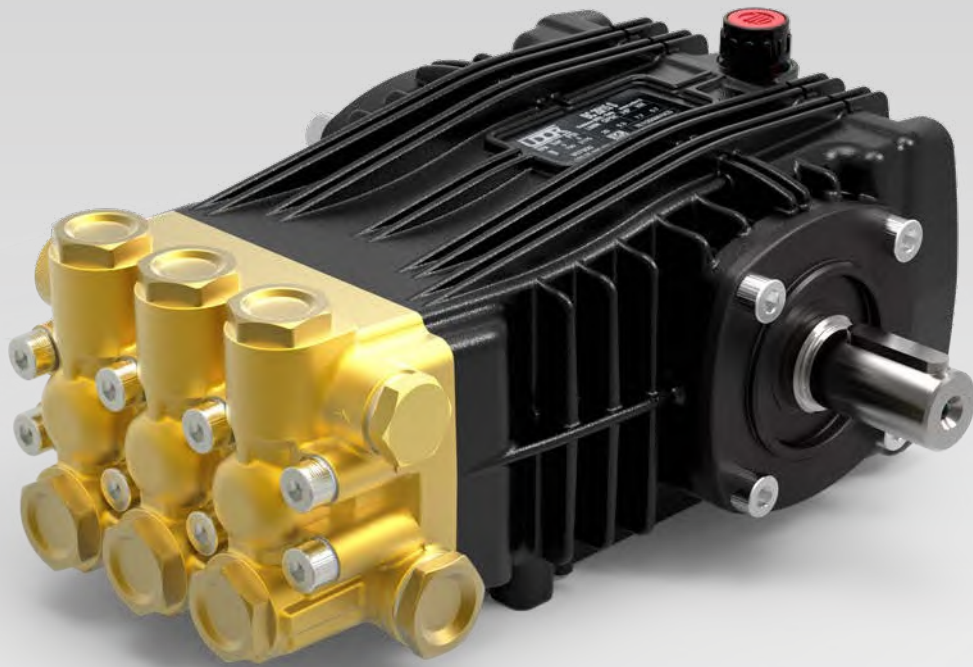
RPM	CODICE CODE	MODELLO MODEL	PORTATA FLOW		PRESSIONE PRESSURE		POTENZA POWER		PESO WEIGHT	
			l/min	GPM	bar	PSI	HP	kW		
1450	271400	PKC 14/20 Z MI	14.0	3.7	200	2900	7.2	5.4	6.7	Z - Albero CAVO 5/8" DX Z - HOLLOW SHAFT 5/8" RIGHT

Tutti i modelli di Pompe sono disponibili con Presa di Forza Sinistra. Nel Modello compare "-L". Esempio : PKC 14/20 Z MI-L  
All models of PUMPS are available with Left P.T.O. Shaft. Descriptions mention "-L". For example : PKC 14/20 Z MI-L

### Dimensioni d'ingombro (mm) - Overall Dimensions (mm)







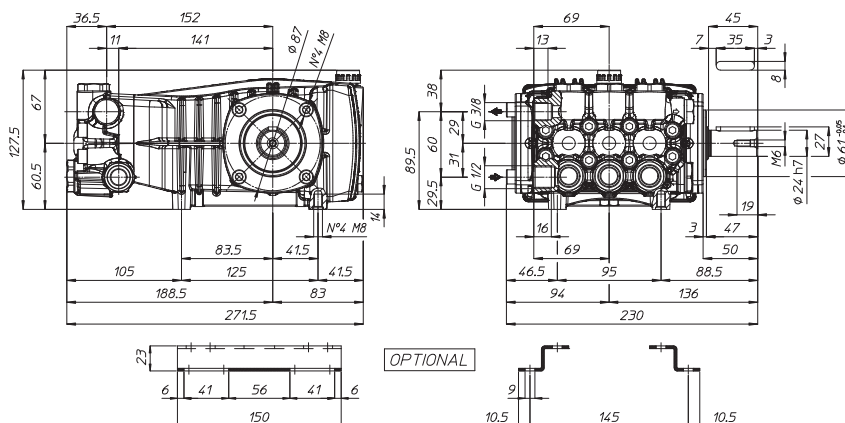
RPM	CODICE CODE	MODELLO MODEL	PORTATA FLOW		PRESSIONE PRESSURE		POTENZA POWER		PESO WEIGHT
			l/min	GPM	bar	PSI	HP	kW	
1450	905200	BC 13/20 S	13.0	3.4	200	2900	6.7	5.0	9.1
	908000	BC 15/15 S	15.0	4.0	150	2175	5.8	4.3	9.1
	905700	BC 15/20 S	15.0	4.0	200	2900	7.7	5.7	9.1
	906100	BC 18/20 S	18.5	4.9	200	2900	9.5	7.1	9.1
	907900	BC 21/15 S	21.0	5.5	150	2175	8.1	6.0	9.1
	905000	BC 21/20 S	21.0	5.5	200	2900	10.8	8.1	9.1
1750	905300	BD 4.0/20 S	15.5	4.1	140	2030	5.6	4.2	9.1
	905400	BD 4.0/30 S	15.5	4.1	200	2900	7.9	5.9	9.1
	905800	BD 5.0/30 S	18.2	4.8	200	2900	9.3	6.9	9.1
	909300	BD 6.0/30 S	22.7	6.0	200	2900	11.6	8.7	9.1

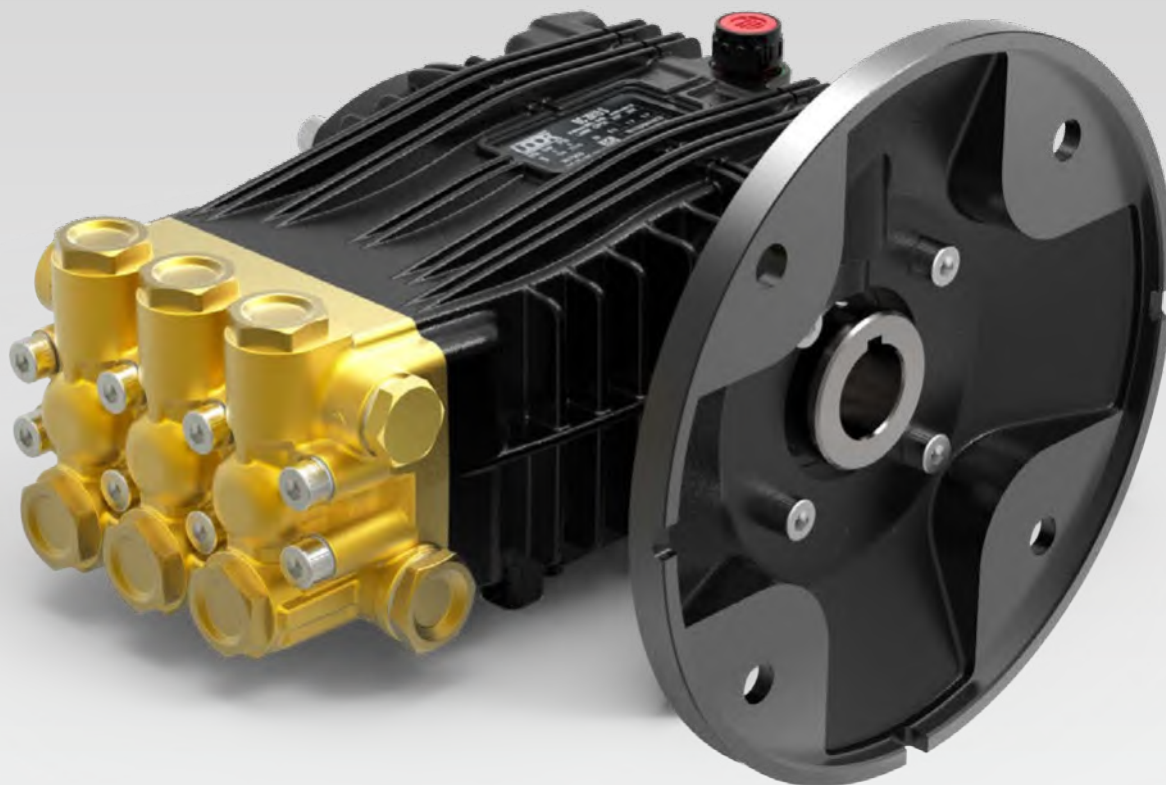
S - Albero MASCHIO 24 mm DX  
S - MALE Shaft 24 mm RIGHT

Tutti i modelli di Pompe sono disponibili con Presa di Forza Sinistra. Nel Modello compare "-L". Esempio : BC 13/20 S-L

All models of PUMPS are available with Left P.T.O. Shaft. Descriptions mention "-L". For example : BC 13/20 S-L

### Dimensioni d'ingombro (mm) - Overall Dimensions (mm)



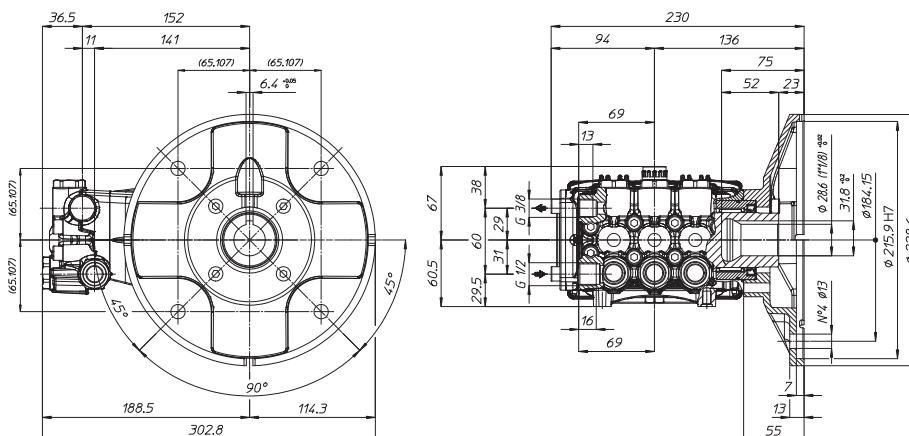


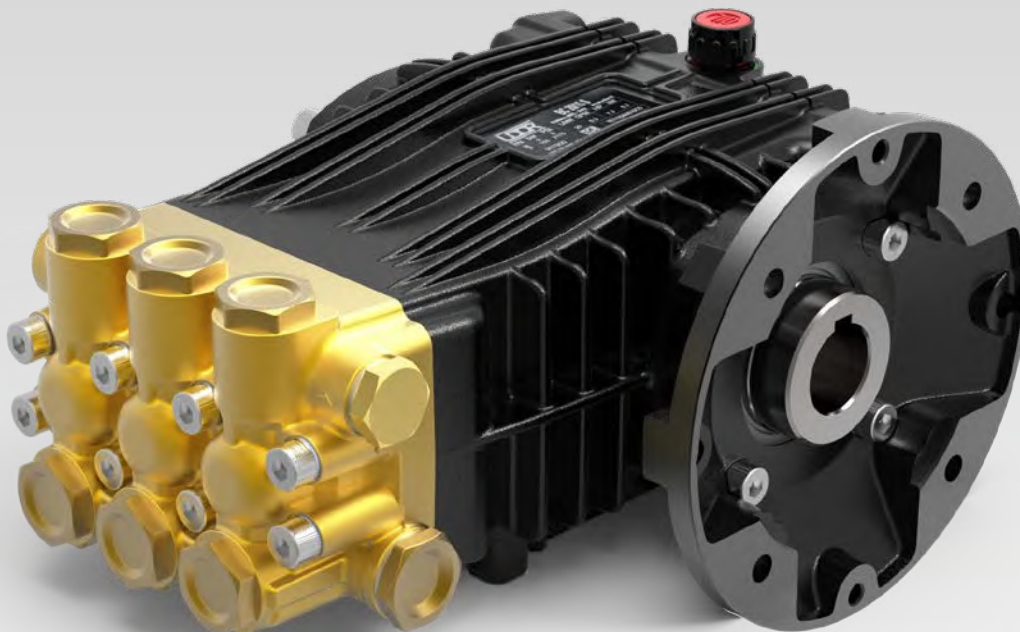
RPM	CODICE CODE	MODELLO MODEL	PORTATA FLOW		PRESSIONE PRESSURE		POTENZA POWER		PESO WEIGHT	
			l/min	GPM	bar	PSI	HP	kW		
1750	907700	BD 4.0/20 U	15.5	4.1	140	2030	5.6	4.2	10.3	U - Albero CAVO 1"1/8 DX U - HOLLOW Shaft 1"1/8 RIGHT
	907800	BD 4.0/30 U	15.5	4.1	200	2900	7.9	5.9	10.3	
	907600	BD 5.0/30 U	19.0	5.0	200	2900	9.7	7.2	10.3	

Tutti i modelli di Pompe sono disponibili con Presa di Forza Sinistra. Nel Modello compare "-L". Esempio : BD 4.0/20 U-L

All models of PUMPS are available with Left P.T.O. Shaft. Descriptions mention "-L". For example : BD 4.0/20 U-L

### Dimensioni d'ingombro (mm) - Overall Dimensions (mm)



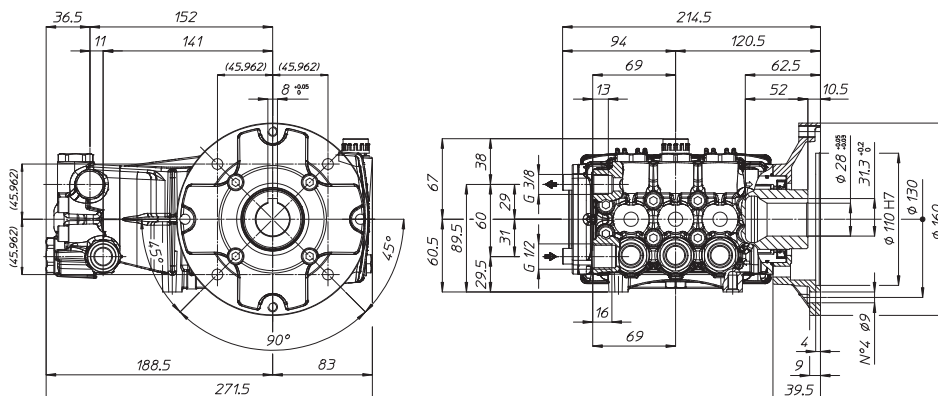


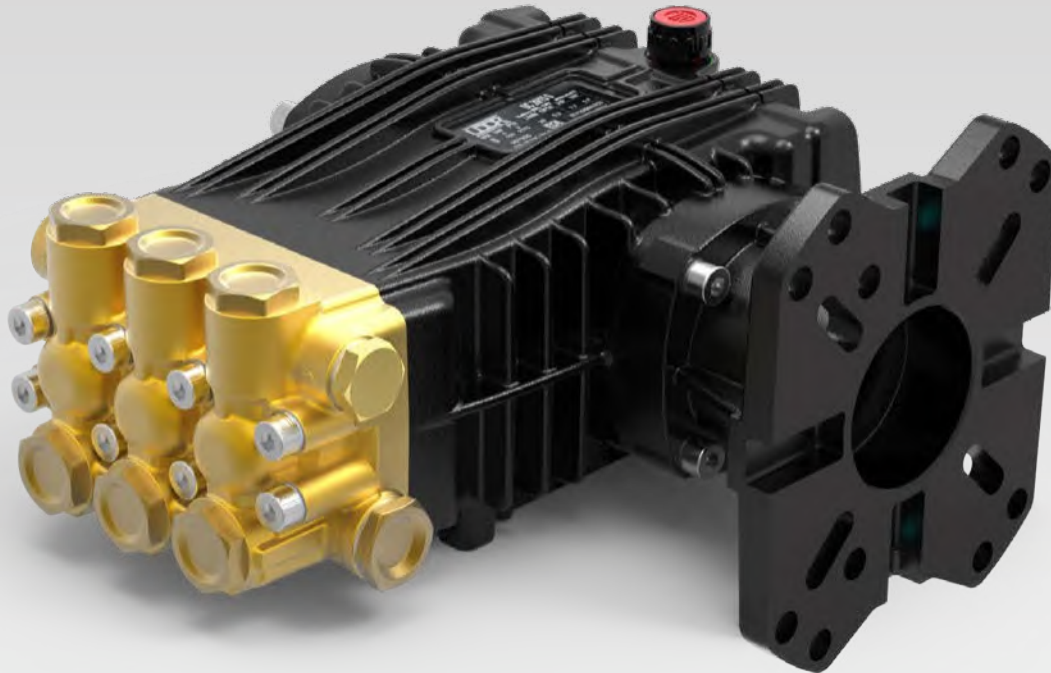
RPM	CODICE CODE	MODELLO MODEL	PORTATA FLOW		PRESSIONE PRESSURE		POTENZA POWER		PESO WEIGHT	
			l/min	GPM	bar	PSI	HP	kW		
1450	906600	BC 13/20 I	13.0	3.4	200	2900	6.7	5.0	9.8	I - Albero CAVO 28 mm DX I - HOLLOW Shaft 28 mm RIGHT
	906700	BC 15/20 I	15.0	4.0	200	2900	7.7	5.7	9.8	
	425700	BC 18/20 I	18.5	4.9	200	2900	9.5	7.1	9.8	

Tutti i modelli di Pompe sono disponibili con Presa di Forza Sinistra. Nel Modello compare "-L". Esempio : BC 13/20 I-L

All models of PUMPS are available with Left P.T.O. Shaft. Descriptions mention "-L". For example : BC 13/20 I-L

### Dimensioni d'ingombro (mm) - Overall Dimensions (mm)



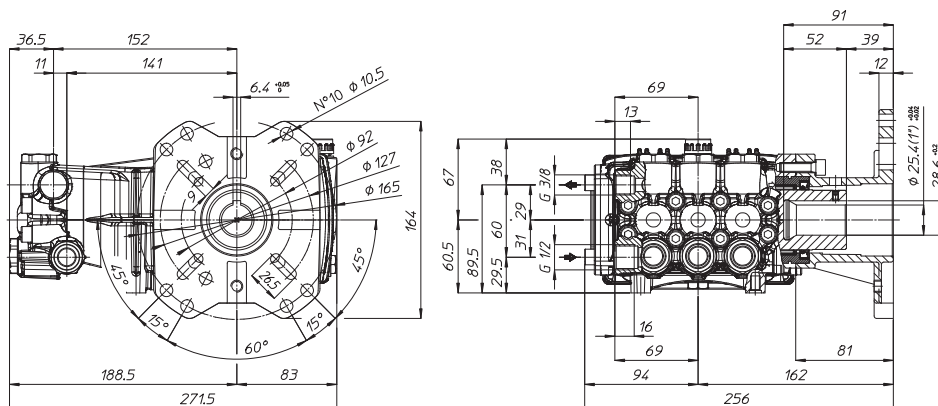


RPM	CODICE CODE	MODELLO MODEL	PORTATA FLOW		PRESSIONE PRESSURE		POTENZA POWER		PESO WEIGHT	
			l/min	GPM	bar	PSI	HP	kW		
3400	907200	BL 4.0/30 W	15.5	4.1	200	2900	7.9	5.9	10.2	W - Albero CAVO 1" DX W - HOLLOW Shaft 1" RIGHT
	907400	BL 5.0/30 W	19.0	5.0	200	2900	9.7	7.2	10.2	

Tutti i modelli di Pompe sono disponibili con Presa di Forza Sinistra. Nel Modello compare "-L". Esempio : BL 4.0/30 W-L

All models of PUMPS are available with Left P.T.O. Shaft. Descriptions mention "-L". For example : BL 4.0/30 W-L

### Dimensioni d'ingombro (mm) - Overall Dimensions (mm)





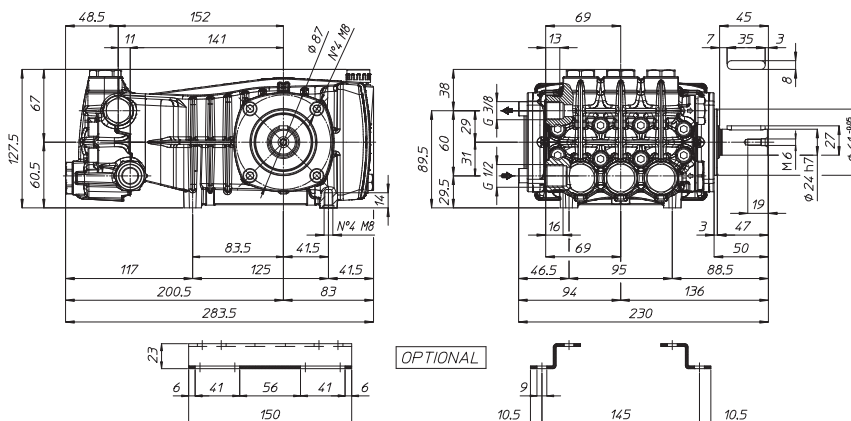
RPM	CODICE CODE	MODELLO MODEL	PORTATA FLOW		PRESSIONE PRESSURE		POTENZA POWER		PESO WEIGHT
			l/min	GPM	bar	PSI	HP	kW	
1450	905500	BKC 13/30 S	13.0	3.4	300	4350	10.0	7.5	10.5
	906000	BKC 15/25 S	15.0	4.0	250	3625	9.6	7.2	10.5
	905900	BKC 15/30 S	15.0	4.0	300	4350	11.5	8.6	10.5
	906200	BKC 18/25 S	18.5	4.9	250	3625	11.9	8.9	10.5
	906400	BKC 20/25 S	20.0	5.3	250	3625	12.8	9.5	10.5
1750	425200	BKD 4.0/44 S	15.0	4.0	300	4350	11.5	8.6	10.5
	909800	BKD 5.0/36 S	18.2	4.8	250	3625	11.7	8.7	10.5

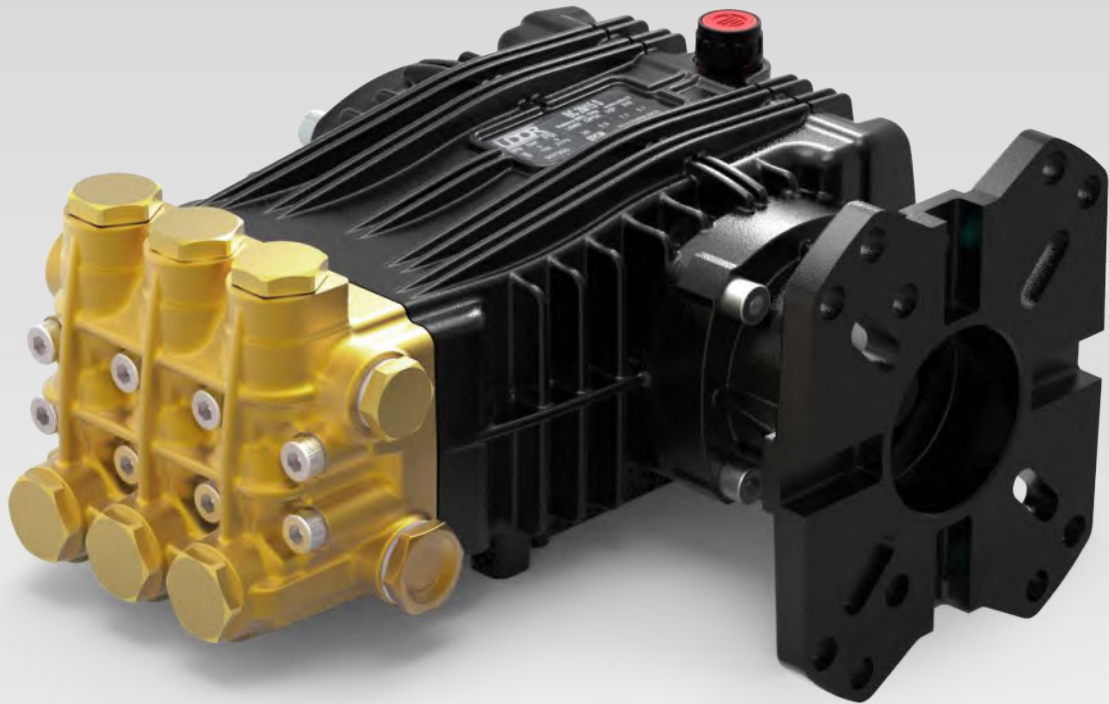
S - Albero MASCHIO 24 mm DX  
S - MALE Shaft 24 mm RIGHT

Tutti i modelli di Pompe sono disponibili con Presa di Forza Sinistra. Nel Modello compare "-L". Esempio : BKC 13/28 S-L

All models of PUMPS are available with Left P.T.O. Shaft. Descriptions mention "-L". For example : BKC 13/28 S-L

### Dimensioni d'ingombro (mm) - Overall Dimensions (mm)



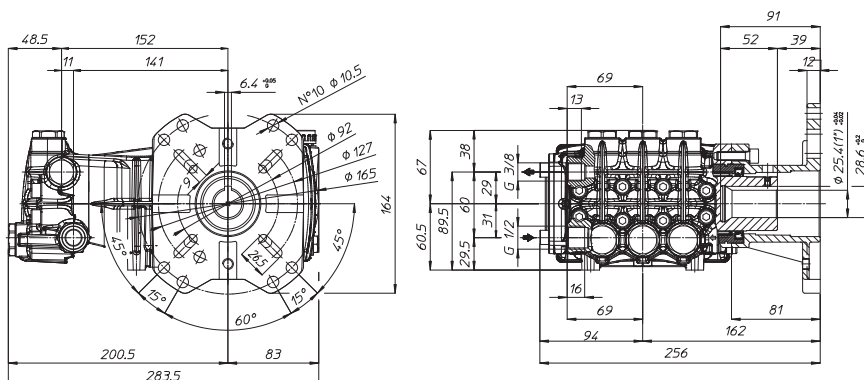


RPM	CODICE CODE	MODELLO MODEL	PORTATA FLOW		PRESSIONE PRESSURE		POTENZA POWER		PESO WEIGHT	
			l/min	GPM	bar	PSI	HP	kW		
3400	907000	BKL 4.0/36 W	15.0	4.0	250	3625	9.6	7.2	11.6	W - Albero CAVO 1" DX W - HOLLOW Shaft 1" RIGHT
	907100	BKL 4.0/44 W	15.0	4.0	300	4350	11.5	8.6	11.6	
	907500	BKL 5.0/36 W	19.0	5.0	250	3625	12.2	9.1	11.6	

Tutti i modelli di Pompe sono disponibili con Presa di Forza Sinistra. Nel Modello compare "-L". Esempio : BKL 4.0/35 W-L

All models of PUMPS are available with Left P.T.O. Shaft. Descriptions mention "-L". For example : BKL 4.0/35 W-L

### Dimensioni d'ingombro (mm) - Overall Dimensions (mm)





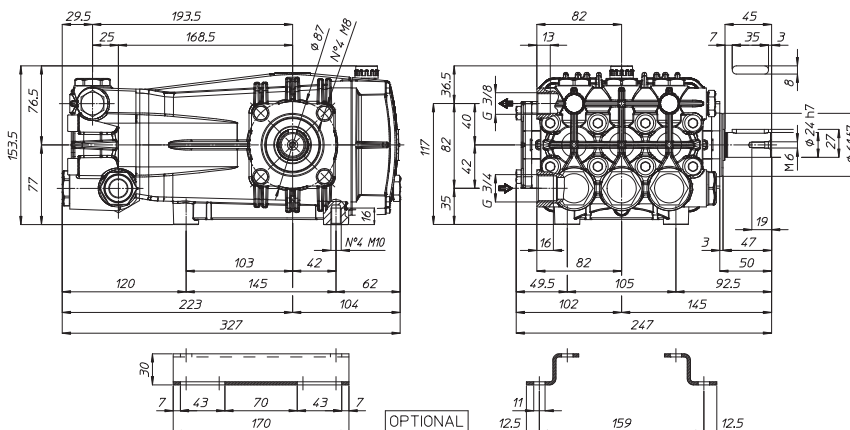
RPM	CODICE CODE	MODELLO MODEL	PORTATA FLOW		PRESSIONE PRESSURE		POTENZA POWER		PESO WEIGHT
			l/min	GPM	bar	PSI	HP	kW	
1000	900100	CB 21/20 S	21.0	5.5	200	2900	10.8	8.1	15.8
1450	901200	CC 21/20 S	21.0	5.5	200	2900	10.8	8.1	15.8
	901500	CC 26/20 S	26.0	6.9	200	2900	13.3	9.9	15.8
	900000	CC 30/20 S	30.0	7.9	200	2900	15.4	11.5	15.8
	900800	CC 34/17 S	34.0	9.0	170	2465	14.8	11.0	15.8
1750	902100	CD 5.5/30 S	20.8	5.5	200	2900	10.7	8.0	15.8
	901300	CD 7.0/30 S	26.5	7.0	200	2900	13.6	10.1	15.8
	902200	CD 7.5/30 S	28.0	7.4	200	2900	14.4	10.7	15.8
	901700	CD 8.5/30 S	32.2	8.5	200	2900	16.5	12.3	15.8

S - Albero MASCHIO 24 mm DX  
S - MALE Shaft 24 mm RIGHT

Tutti i modelli di Pompe sono disponibili con Presa di Forza Sinistra. Nel Modello compare "-L". Esempio : CB 21/20 S-L

All models of PUMPS are available with Left P.T.O. Shaft. Descriptions mention "-L". For example : CB 21/20 S-L

### Dimensioni d'ingombro (mm) - Overall Dimensions (mm)



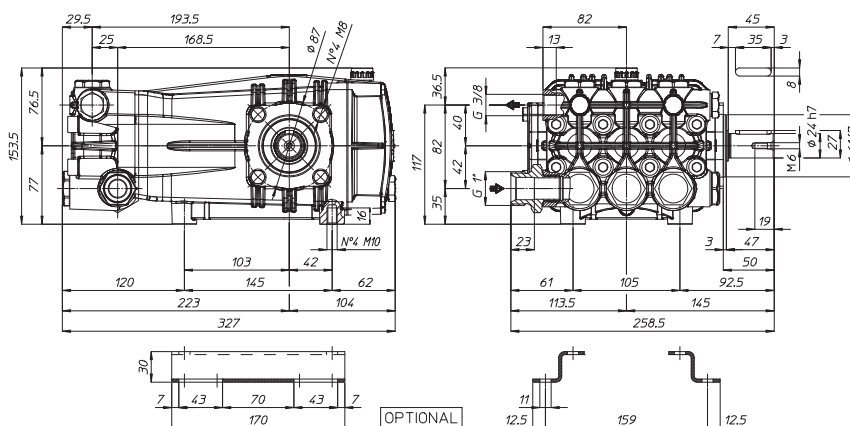


RPM	CODICE CODE	MODELLO MODEL	PORTATA FLOW		PRESSIONE PRESSURE		POTENZA POWER		PESO WEIGHT	
			l/min	GPM	bar	PSI	HP	kW		
1750	902300	CD 9.5/30 S	36.0	9.5	200	2900	18.5	13.8	16.2	S - Albero MASCHIO 24 mm DX S - MALE Shaft 24 mm RIGHT
	900600	CD 11.0/25 S	41.5	11.0	170	2465	18.1	13.5	16.2	
	900700	CD 12.0/22 S	45.5	12.0	150	2175	17.5	13.1	16.2	

Tutti i modelli di Pompe sono disponibili con Presa di Forza Sinistra. Nel Modello compare "L". Esempio : CD 9.5/25 S-L

All models of PUMPS are available with Left P.T.O. Shaft. Descriptions mention "L". For example : CD 9.5/25 S-L

### Dimensioni d'ingombro (mm) - Overall Dimensions (mm)





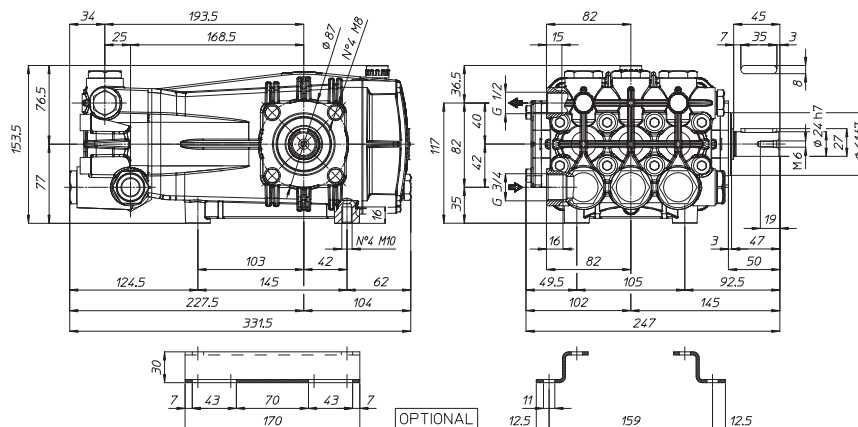


RPM	CODICE CODE	MODELLO MODEL	PORTATA FLOW		PRESSIONE PRESSURE		POTENZA POWER		PESO WEIGHT	
			l/min	GPM	bar	PSI	HP	kW		
1000	902400	CB 26/20 S	26.0	6.9	200	2900	13.3	9.9	16.1	S - Albero MASCHIO 24 mm DX S - MALE Shaft 24 mm RIGHT
	902700	CB 30/20 S	30.0	7.9	200	2900	15.4	11.5	16.1	
	903100	CB 34/20 S	34.0	9.0	200	2900	17.4	13.0	16.1	
1450	902600	CC 38/17 S	38.0	10.0	170	2465	16.6	12.4	16.1	

Tutti i modelli di Pompe sono disponibili con Presa di Forza Sinistra. Nel Modello compare "-L". Esempio : CB 26/20 S-L

All models of PUMPS are available with Left P.T.O. Shaft. Descriptions mention "-L". For example : CB 26/20 S-L

### Dimensioni d'ingombro (mm) - Overall Dimensions (mm)





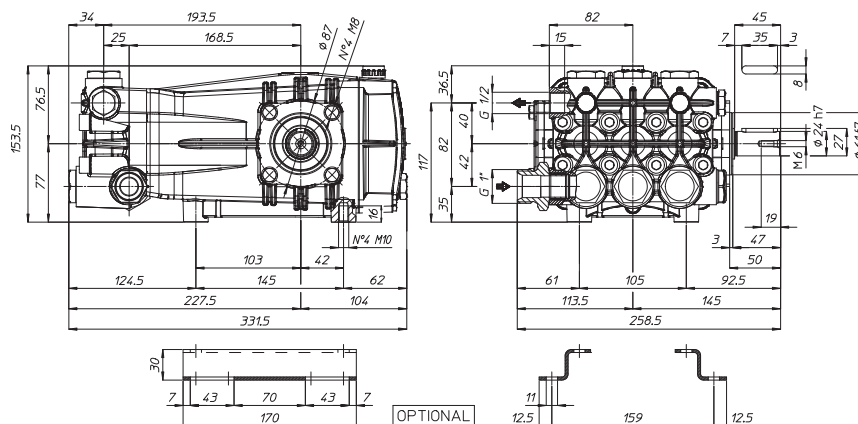
RPM	CODICE CODE	MODELLO MODEL	PORTATA FLOW		PRESSIONE PRESSURE		POTENZA POWER		PESO WEIGHT	
			l/min	GPM	bar	PSI	HP	kW		
1450	902900	CC 42/17 S	44.0	11.6	170	2465	19.2	14.3	16.2	S - Albero MASCHIO 24 mm DX
	903400	CC 50/15 S	50.0	13.2	150	2175	19.2	14.3	16.2	S - MALE Shaft 24 mm RIGHT

- Minimo 0.1 bar (1.45 PSI) di Pressione in Entrata / Min. 0.1 bar (1.45 PSI) Inlet Pressure

Tutti i modelli di Pompe sono disponibili con Presa di Forza Sinistra. Nel Modello compare "-L". Esempio : CC 42/12 S-L

All models of PUMPS are available with Left P.T.O. Shaft. Descriptions mention "-L". For example : CC 42/12 S-L

### Dimensioni d'ingombro (mm) - Overall Dimensions (mm)



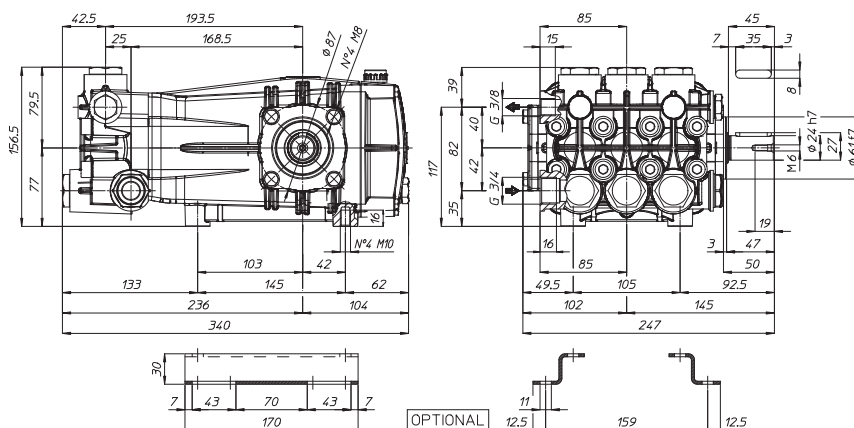


RPM	CODICE CODE	MODELLO MODEL	PORTATA FLOW		PRESSIONE PRESSURE		POTENZA POWER		PESO WEIGHT	
			l/min	GPM	bar	PSI	HP	kW		
1450	294000	CKC 17/36 S	17.0	4.5	350	5075	15.3	11.4	17.4	S - Albero MASCHIO 24 mm DX S - MALE Shaft 24 mm RIGHT
	294200	CKC 21/36 S	21.0	5.5	350	5075	18.8	14.0	17.4	
1750	294700	CKD 3.5/51 S	13.4	3.5	350	5075	12.0	9.0	17.4	
	294600	CKD 4.5/51 S	17.0	4.5	350	5075	15.3	11.4	17.4	
	294400	CKD 6.0/51 S	22.7	6.0	350	5075	20.4	15.2	17.4	

Tutti i modelli di Pompe sono disponibili con Presa di Forza Sinistra. Nel Modello compare "-L". Esempio : CKC 17/36 S-L

All models of PUMPS are available with Left P.T.O. Shaft. Descriptions mention "-L". For example : CKC 17/36 S-L

### Dimensioni d'ingombro (mm) - Overall Dimensions (mm)





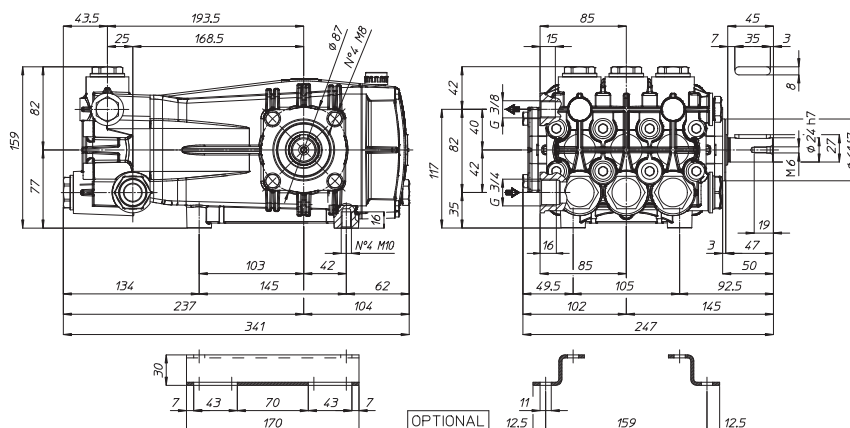
RPM	CODICE CODE	MODELLO MODEL	PORTATA FLOW		PRESSIONE PRESSURE		POTENZA POWER		PESO WEIGHT
			l/min	GPM	bar	PSI	HP	kW	
1450	291600	CKC 17/30 S	17.0	4.5	300	4350	13.1	9.8	17.4
	290000	CKC 21/30 S	21.0	5.5	300	4350	16.2	12.1	17.4
	292100	CKC 26/30 S	26.0	6.9	300	4350	20.0	14.9	17.4
	292400	CKC 30/30 S	30.0	7.9	300	4350	23.1	17.2	17.4
	292600	CKC 34/25 S	34.0	9.0	250	3625	21.8	16.3	17.4
1750	291800	CKD 5.5/44 S	20.8	5.5	300	4350	16.0	11.9	17.4
	291900	CKD 7.5/44 S	28.4	7.5	300	4350	21.8	16.3	17.4
	295500	CKD 8.5/40 S	32.2	8.5	280	4060	23.1	17.3	17.4
	295600	CKD 9.5/36 S	36.0	9.5	250	3625	23.0	17.2	17.4
	295700	CKD 11.0/32 S	41.5	11.0	220	3190	23.5	17.5	17.4

S - Albero MASCHIO 24 mm DX  
S - MALE Shaft 24 mm RIGHT

Tutti i modelli di Pompe sono disponibili con Presa di Forza Sinistra. Nel Modello compare "-L". Esempio : CKC 17/28 S-L

All models of PUMPS are available with Left P.T.O. Shaft. Descriptions mention "-L". For example : CKC 17/28 S-L

### Dimensioni d'ingombro (mm) - Overall Dimensions (mm)



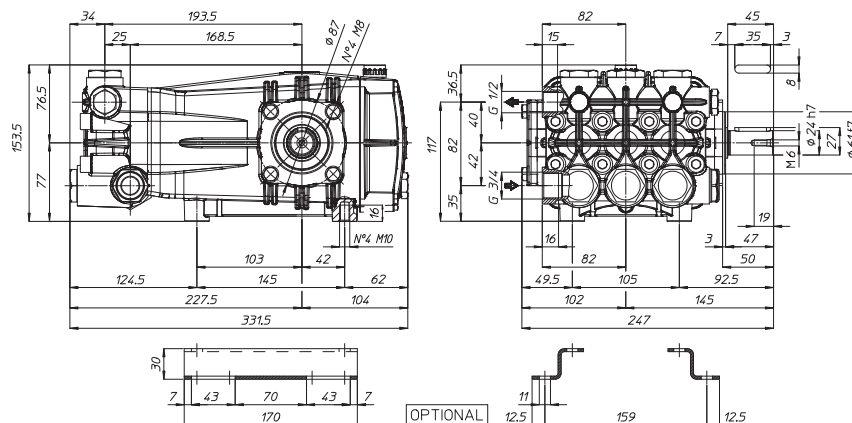


RPM	CODICE CODE	MODELLO MODEL	PORTATA FLOW		PRESSIONE PRESSURE		POTENZA POWER		PESO WEIGHT	
			l/min	GPM	bar	PSI	HP	kW		
1450	292700	CKC 38/20 S	38.0	10.0	200	2900	19.5	14.5	17.4	S - Albero MASCHIO 24 mm DX S - MALE Shaft 24 mm RIGHT

Tutti i modelli di Pompe sono disponibili con Presa di Forza Sinistra. Nel Modello compare "-L". Esempio : CKC 38/20 S-L

All models of PUMPS are available with Left P.T.O. Shaft. Descriptions mention "-L". For example : CKC 38/20 S-L

### Dimensioni d'ingombro (mm) - Overall Dimensions (mm)





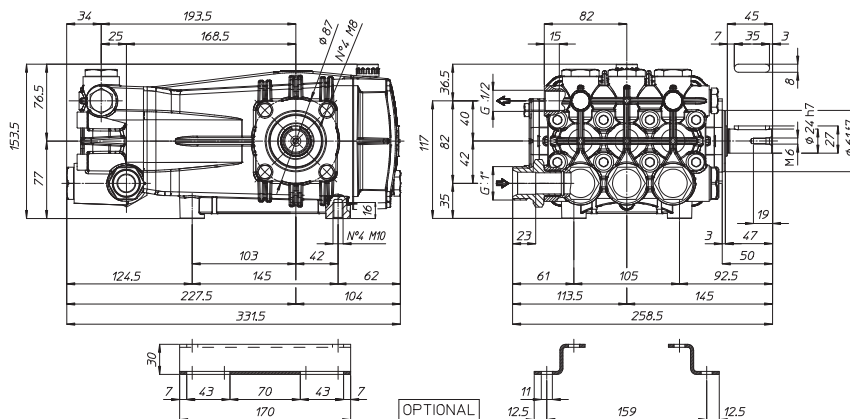
RPM	CODICE CODE	MODELLO MODEL	PORTATA FLOW		PRESSIONE PRESSURE		POTENZA POWER		PESO WEIGHT	
			l/min	GPM	bar	PSI	HP	kW		
1450	293000	CKC 42/20 S	44.0	11.6	200	2900	22.6	16.9	17.5	S - Albero MASCHIO 24 mm DX S - MALE Shaft 24 mm RIGHT
	293400	CKC 50/20 S	50.0	13.2	200	2900	25.6	19.1	17.5	
1750	295800	CKD 12.0/30 S	45.5	12.0	200	2900	23.4	17.4	17.5	

- Minimo 0.1 bar (1.45 PSI) di Pressione in Entrata / Min. 0.1 bar (1.45 PSI) Inlet Pressure

Tutti i modelli di Pompe sono disponibili con Presa di Forza Sinistra. Nel Modello compare "-L". Esempio : CKC 42/18 S-L

All models of PUMPS are available with Left P.T.O. Shaft. Descriptions mention "-L". For example : CKC 42/18 S-L

### Dimensioni d'ingombro (mm) - Overall Dimensions (mm)



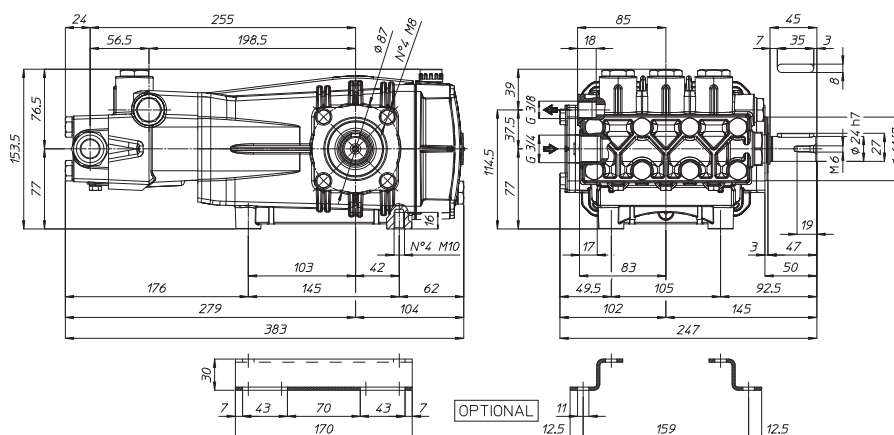


RPM	CODICE CODE	MODELLO MODEL	PORTATA FLOW		PRESSIONE PRESSURE		POTENZA POWER		PESO WEIGHT	
			l/min	GPM	bar	PSI	HP	kW		
1450	294800	CXC 15/50 S	15.0	4.0	500	7250	19.2	14.3	23.5	S - Albero MASCHIO 24 mm DX S - MALE Shaft 24 mm RIGHT
	294900	CXC 18/50 S	18.0	4.8	500	7250	23.1	17.2	23.5	
	295000	CXC 22/50 S	22.0	5.8	500	7250	28.2	21.0	23.5	

Tutti i modelli di Pompe sono disponibili con Presa di Forza Sinistra. Nel Modello compare "-L". Esempio : CXC 15/50 S-L

All models of PUMPS are available with Left P.T.O. Shaft. Descriptions mention "-L". For example : CXC 15/50 S-L

### Dimensioni d'ingombro (mm) - Overall Dimensions (mm)



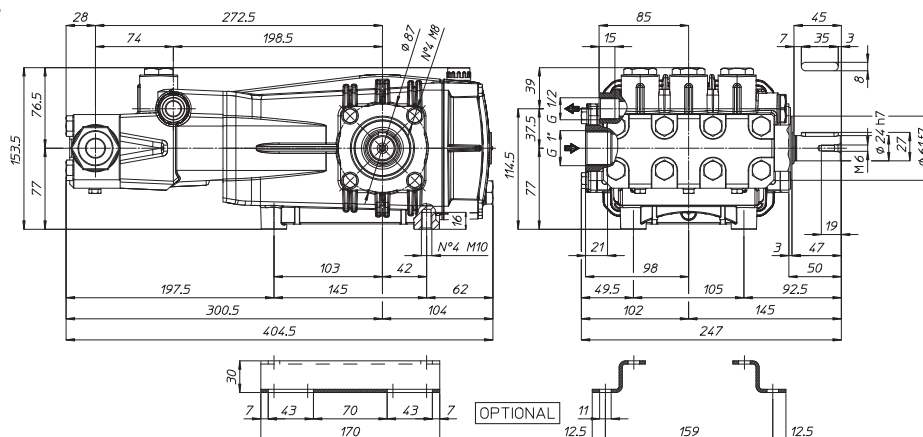


RPM	CODICE CODE	MODELLO MODEL	PORTATA FLOW		PRESSIONE PRESSURE		POTENZA POWER		PESO WEIGHT	
			l/min	GPM	bar	PSI	HP	kW		
1450	295100	CXC 70/15 S	70.0	18.5	150	2175	26.9	20.1	25.0	S - Albero MASCHIO 24 mm DX S - MALE Shaft 24 mm RIGHT

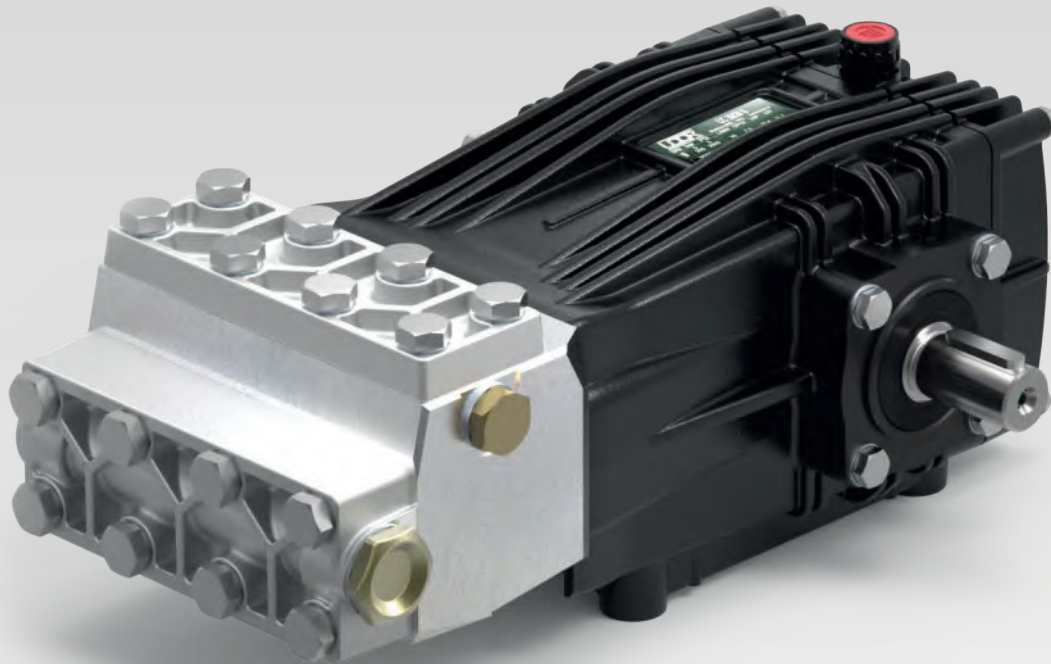
Tutti i modelli di Pompe sono disponibili con Presa di Forza Sinistra. Nel Modello compare "-L". Esempio : CXC 70/12 S-L

All models of PUMPS are available with Left P.T.O. Shaft. Descriptions mention "-L". For example : CXC 70/12 S-L

### Dimensioni d'ingombro (mm) - Overall Dimensions (mm)





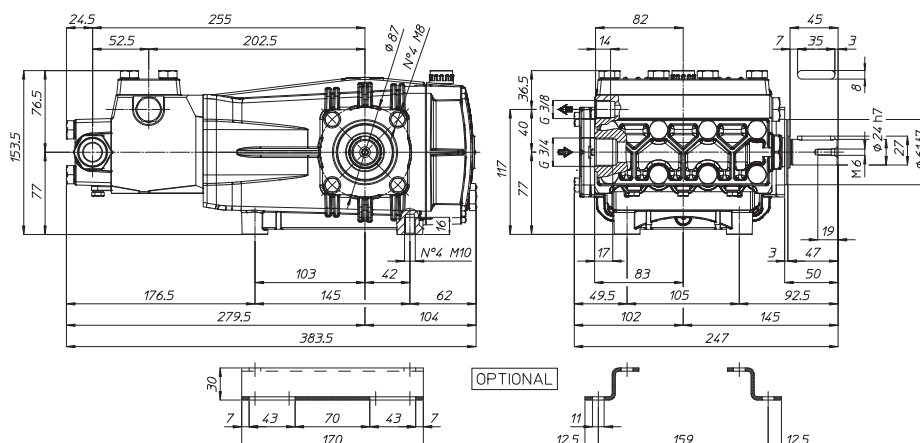


RPM	CODICE CODE	MODELLO MODEL	PORTATA FLOW		PRESSIONE PRESSURE		POTENZA POWER		PESO WEIGHT	
			l/min	GPM	bar	PSI	HP	kW		
1450	291000	CHC 12/50 S	12.0	3.2	500	7250	15.4	11.5	22.1	S - Albero MASCHIO 24 mm DX S - MALE Shaft 24 mm RIGHT
	290200	CHC 16/50 S	16.0	4.2	500	7250	20.5	15.3	22.1	
	291300	CHC 20/50 S	20.0	5.3	500	7250	25.6	19.1	22.1	
1750	291200	CHD 3.0/75 S	11.5	3.0	500	7250	14.7	11.0	22.1	
	290400	CHD 4.5/75 S	16.0	4.2	500	7250	20.5	15.3	22.1	

Tutti i modelli di Pompe sono disponibili con Presa di Forza Sinistra. Nel Modello compare "-L". Esempio : CHC 12/50 S-L

All models of PUMPS are available with Left P.T.O. Shaft. Descriptions mention "-L". For example : CHC 12/50 S-L

### Dimensioni d'ingombro (mm) - Overall Dimensions (mm)



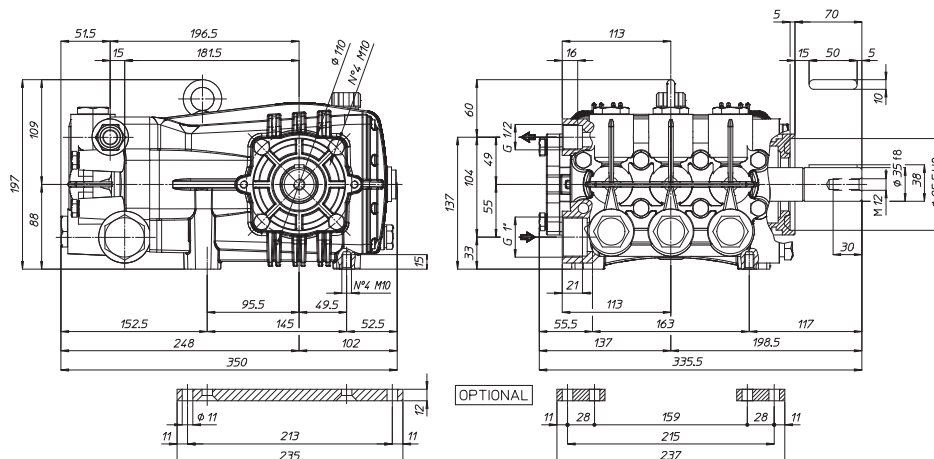


RPM	CODICE CODE	MODELLO MODEL	PORTATA FLOW				PRESSIONE PRESSURE		POTENZA POWER		PESO WEIGHT	
			NOM.				bar	PSI	HP	kW		
			l/min	GPM	l/min	GPM					Kg	
1000	849000	NX-B 25/300 R	25.1	6.6	24.0	6.3	300	4350	18.4	13.7	30.4	R - Albero MASCHIO 35 mm DX R - MALE Shaft 35 mm RIGHT
	814900	NX-B 30/280 R	32.4	8.6	30.0	7.9	280	4060	21.5	16.0	30.4	
1450	845600	NX-C 35/300 R	36.4	9.6	34.0	9.0	300	4350	26.2	19.5	30.4	
	838800	NX-C 44/280 R	47.0	12.4	44.0	11.6	280	4060	31.6	23.6	30.4	
1750	826700	NX-D 11.0/44 S	44.4	11.7	41.5	11.0	300	4350	31.9	23.8	30.4	
	826800	NX-D 14.0/36 S	56.7	15.0	53.0	14.0	250	3625	34.0	25.3	30.4	

Tutti i modelli di Pompe sono disponibili con Presa di Forza Sinistra. Nel Modello compare "L". Esempio : NX-B 25/300 L

All models of PUMPS are available with Left P.T.O. Shaft. Descriptions mention "L". For example : NX-B 25/300 L

### Dimensioni d'ingombro (mm) - Overall Dimensions (mm)





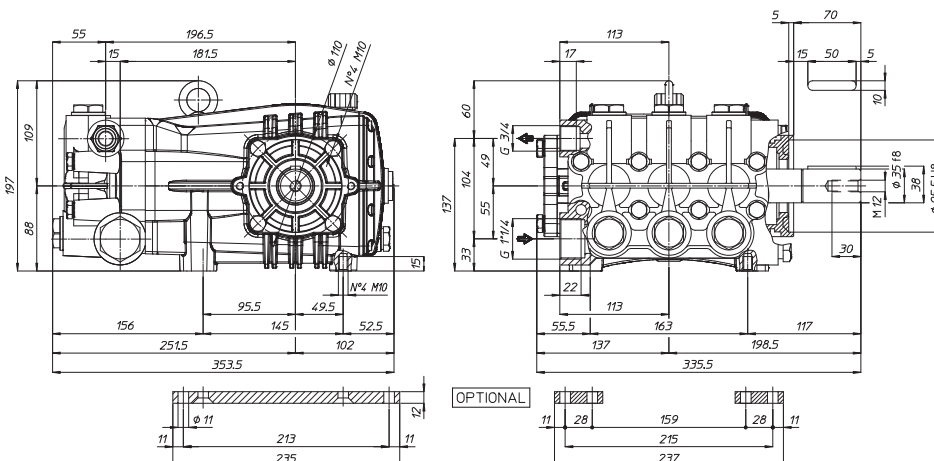
RPM	CODICE CODE	MODELLO MODEL	PORTATA FLOW				PRESSIONE PRESSURE		POTENZA POWER		PESO WEIGHT
			NOM.				bar	PSI	HP	kW	
			l/min	GPM	l/min	GPM					Kg
1000	849200	NX-B 38/200 R	40.6	10.7	38.0	10.0	200	2900	19.5	14.5	30.4
	849400	NX-B 52/150 R	55.4	14.6	52.0	13.7	150	2175	20.0	14.9	30.4
	839800	NX-B 70/120 R	72.1	19.0	70.0	18.5	120	1740	21.5	16.0	30.4
1450	845700	NX-C 55/200 R	58.9	15.6	56.0	14.8	200	2900	28.7	21.4	30.4
	845800	NX-C 75/150 R	80.4	21.2	75.0	19.8	150	2175	28.8	21.5	30.4
	838400	NX-C 85/120 R	91.1	24.1	85.0	22.5	120	1800	26.1	19.2	30.4
	839300	NX-C 100/150 R	104.5	27.6	100.0	26.4	150	2175	38.5	28.7	30.4
1750	826900	NX-D 18.0/30 S	71.6	18.9	68.1	18.0	200	2900	34.9	26.0	30.4

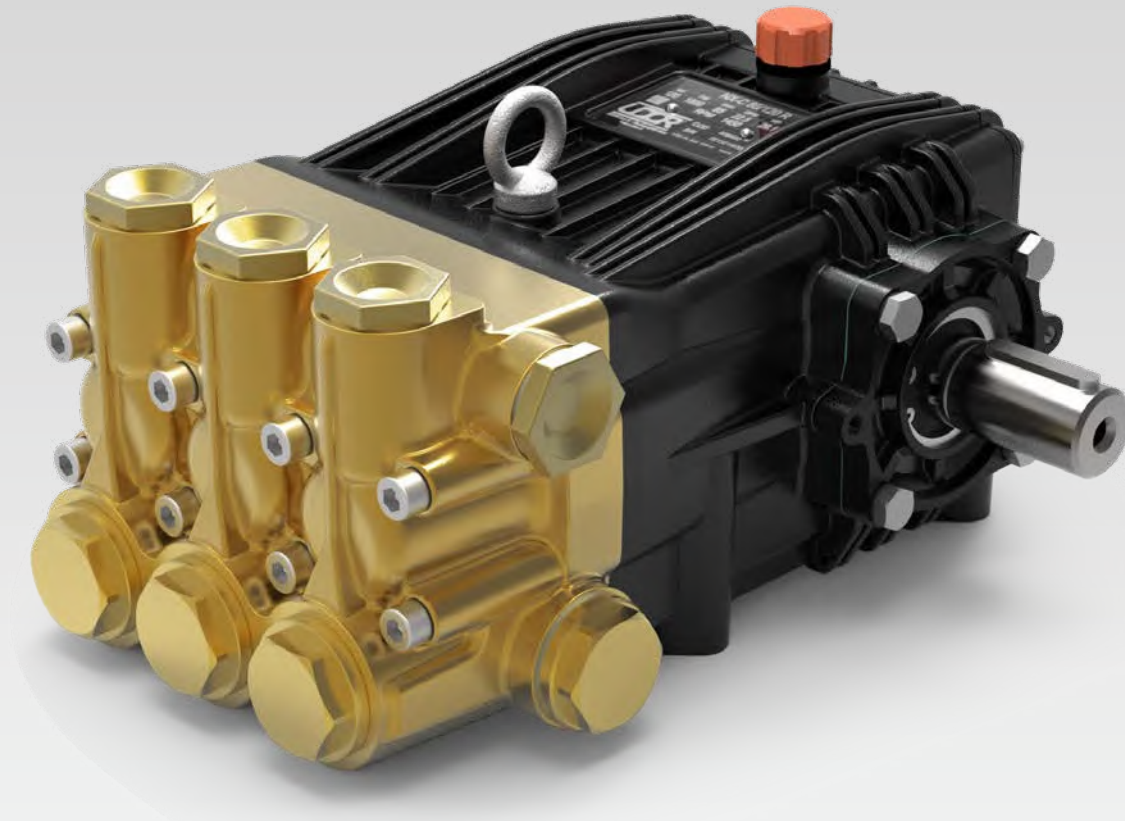
R - Albero MASCHIO 35 mm DX  
R - MALE Shaft 35 mm RIGHT

Tutti i modelli di Pompe sono disponibili con Presa di Forza Sinistra. Nel Modello compare "L". Esempio : NX-B 38/200 L

All models of PUMPS are available with Left P.T.O. Shaft. Descriptions mention "L". For example : NX-B 38/200 L

### Dimensioni d'ingombro (mm) - Overall Dimensions (mm)



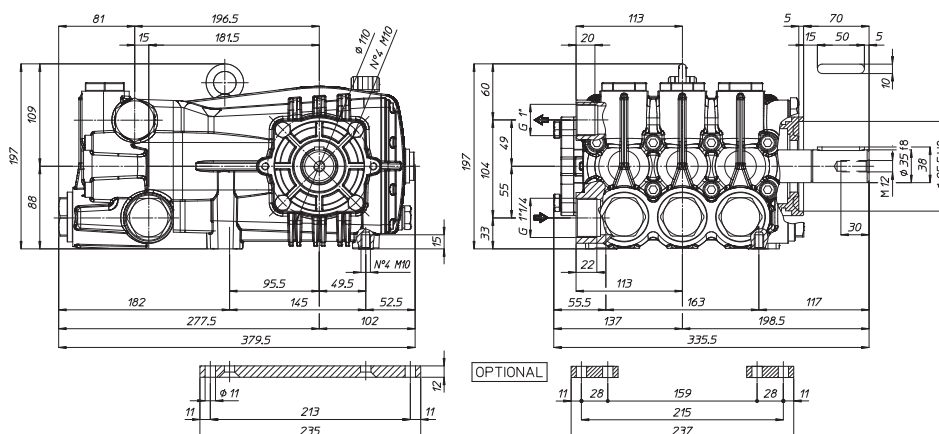


RPM	CODICE CODE	MODELLO MODEL	PORTATA FLOW				PRESSIONE PRESSURE		POTENZA POWER		PESO WEIGHT	
			NOM.				bar	PSI	HP	kW		
			l/min	GPM	l/min	GPM						
1000	815300	NX-B 100/100 R	103.8	27.4	100.0	26.4	100	1450	25.6	19.1	33.8	R - Albero MASCHIO 35 mm DX
1450	803300	NX-C 145/100 R	150.5	39.8	143.0	37.8	100	1450	36.7	27.4	33.8	R - MALE Shaft 35 mm RIGHT

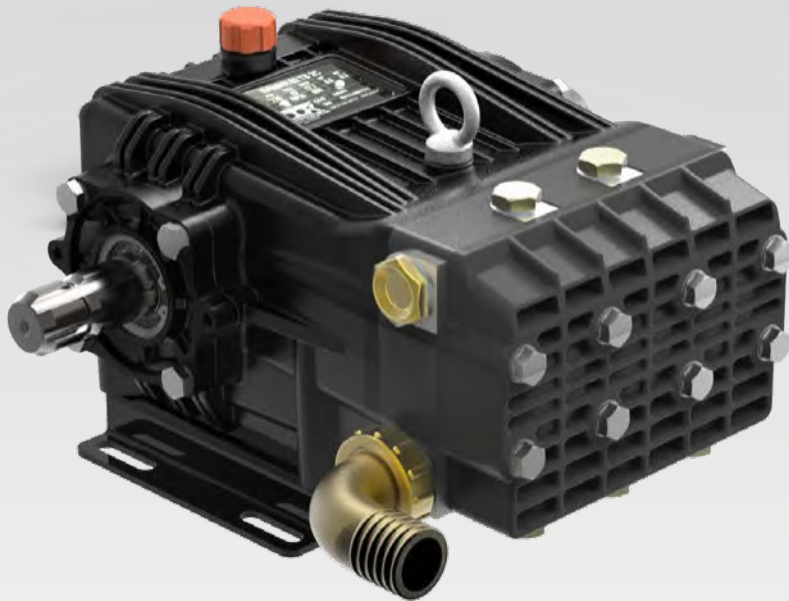
Tutti i modelli di Pompe sono disponibili con Presa di Forza Sinistra. Nel Modello compare "L". Esempio : NX-B 100/100 L

All models of PUMPS are available with Left P.T.O. Shaft. Descriptions mention "L". For example : NX-B 100/100 L

### Dimensioni d'ingombro (mm) - Overall Dimensions (mm)



# GAMMA



TS 1C



TS 2C

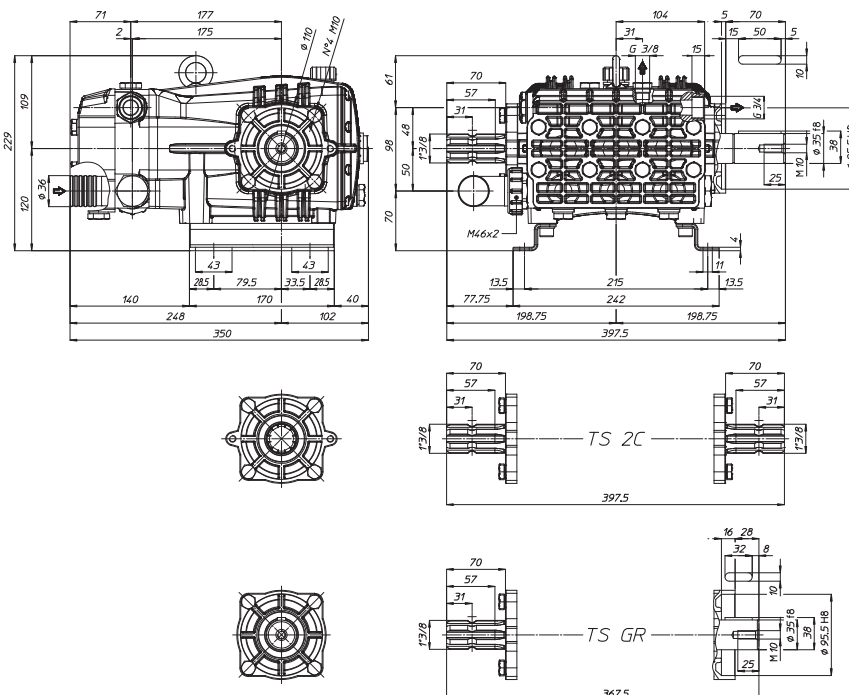


TS GR



RPM	CODICE CODE	MODELLO MODEL	PORTATA FLOW				PRESSIONE PRESSURE		POTENZA POWER		PESO WEIGHT	
			NOM.									
			l/min	GPM	l/min	GPM	bar	PSI	HP	kW	Kg	
600	837700	GAMMA 62 TS 1C	67,9	17,9	67,0	17,7	50	725	8.6	6.4	22.2	TS 1C 35 mm 1 3/8 Scanalato / Splined
	837600	GAMMA 62 TS 2C	67,9	17,9	67,0	17,7	50	725	8.6	6.4	22.2	TS 2C 1 3/8 Scanalato / Splined
	837800	GAMMA 62 TS GR	67,9	17,9	67,0	17,7	50	725	8.6	6.4	22.2	TS GR 35 mm Corto / Short 1 3/8 Scanalato / Splined

## Dimensioni d'ingombro (mm) - Overall Dimensions (mm)



# GAMMA



TS 1C

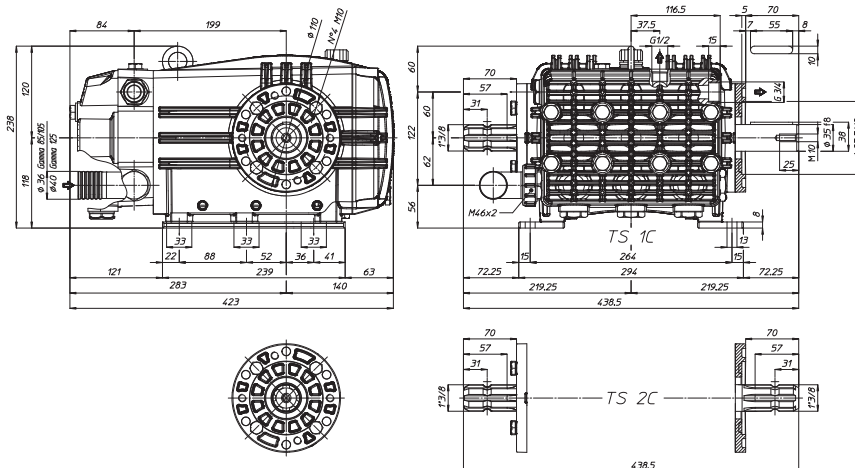


TS 2C



RPM	CODICE CODE	MODELLO MODEL	PORTATA FLOW				PRESSIONE PRESSURE		POTENZA POWER		PESO WEIGHT	
			NOM.				bar	PSI	HP	kW		
			l/min	GPM	l/min	GPM						
600	838200	GAMMA 85 TS 1C	84.8	22.4	84.0	22.2	60	870	12.9	9.6	37.6	TS 1C 35 mm 1"3/8 Scanalato / Splined
	838100	GAMMA 85 TS 2C	84.8	22.4	84.0	22.2	60	870	12.9	9.6	37.8	
	838700	GAMMA 105 TS 1C	107.4	28.4	106.5	28.1	60	870	16.4	12.2	37.6	TS 2C 1"3/8 Scanalato / Splined 1"3/8 Scanalato / Splined
	838600	GAMMA 105 TS 2C	107.4	28.4	106.5	28.1	60	870	16.4	12.2	37.8	
	839200	GAMMA 125 TS 1C	134.3	35.5	133.0	35.1	60	870	20.5	15.3	37.6	
	839100	GAMMA 125 TS 2C	134.3	35.5	133.0	35.1	60	870	20.5	15.3	37.8	

## Dimensioni d'ingombro (mm) - Overall Dimensions (mm)



# GAMMA



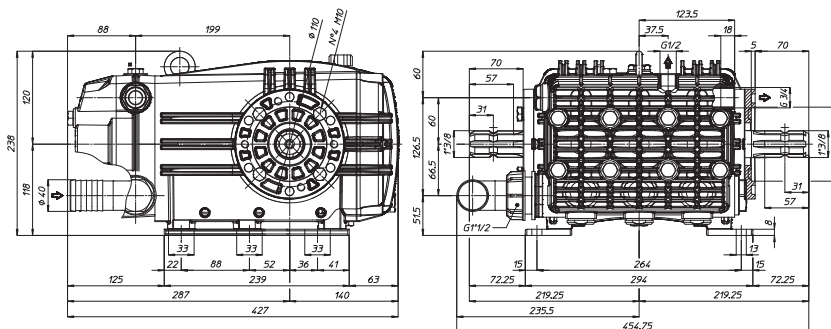
TS 2C



RPM	CODICE CODE	MODELLO MODEL	PORTATA FLOW				PRESSIONE PRESSURE		POTENZA POWER		PESO WEIGHT	
			NOM.				bar	PSI	HP	kW		
			l/min	GPM	l/min	GPM						
600	817200	GAMMA 155 TS 2C	149.0	39.4	147.5	39.0	50	725	18.9	14.1	38.0	TS 2C

 1"3/8 Scanalato / Splined  
 1"3/8 Scanalato / Splined

## Dimensioni d'ingombro (mm) - Overall Dimensions (mm)



# GAMMA



TS 1C

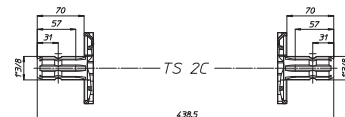
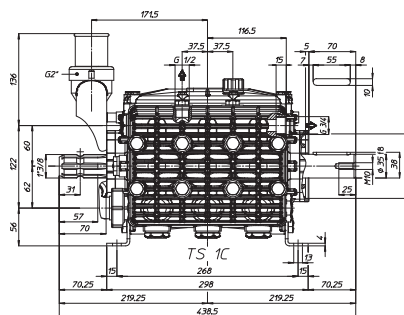
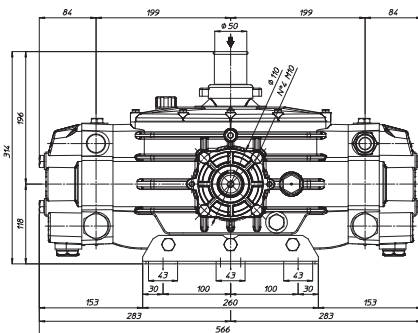


TS 2C



RPM	CODICE CODE	MODELLO MODEL	PORTATA FLOW				PRESSIONE PRESSURE		POTENZA POWER		PESO WEIGHT	
			NOM.				bar	PSI	HP	kW		
			l/min	GPM	l/min	GPM						
600	839700	GAMMA 162 TS 1C	169.7	44.8	164.0	43.3	60	870	25.2	18.8	51.8	TS 1C 35 mm 1"3/8 Scanalato / Splined
	839600	GAMMA 162 TS 2C	169.7	44.8	164.0	43.3	60	870	25.2	18.8	52.0	
	837200	GAMMA 202 TS 1C	214.9	56.8	208.0	55.0	60	870	32.0	23.9	51.8	TS 2C 1"3/8 Scanalato / Splined 1"3/8 Scanalato / Splined
	837100	GAMMA 202 TS 2C	214.9	56.8	208.0	55.0	60	870	32.0	23.9	52.0	
550	840200	GAMMA 242 TS 1C	246.2	65.1	240.0	63.4	60	870	36.9	27.5	51.8	
	840100	GAMMA 242 TS 2C	246.2	65.1	240.0	63.4	60	870	36.9	27.5	51.8	

## Dimensioni d'ingombro (mm) - Overall Dimensions (mm)



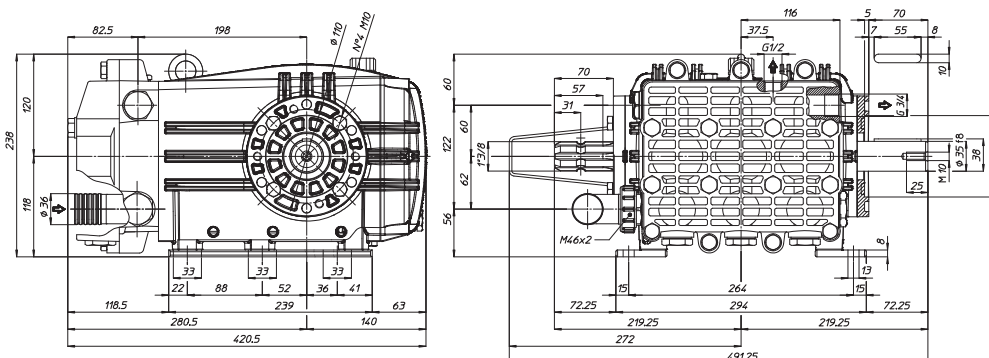


# GAMMA-IL



RPM	CODICE CODE	MODELLO MODEL	PORTATA FLOW				PRESSIONE PRESSURE		POTENZA POWER		PESO WEIGHT	
			NOM.				bar	PSI	HP	kW		
600	832100	GAMMA-IL 83 TS 1C	84.8	22.4	84.0	22.2	100	1450	21.5	16.0	53.3	TS 1C 35 mm 1"3/8 Scanalato / Splined
	832600	GAMMA-IL 103 TS 1C	107.4	28.4	106.5	28.1	100	1450	27.3	20.4	53.3	

## Dimensioni d'ingombro (mm) - Overall Dimensions (mm)

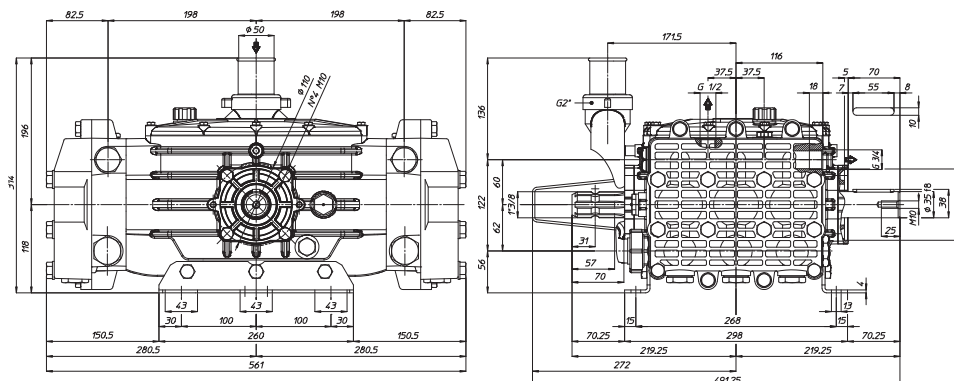


# GAMMA-IL



RPM	CODICE CODE	MODELLO MODEL	PORTATA FLOW				PRESSIONE PRESSURE		POTENZA POWER		PESO WEIGHT	
			NOM.				bar	PSI	HP	kW		
600	833100	GAMMA-IL 160 TS 1C	169.7	44.8	163.0	43.1	80	1160	33.4	24.9	69.0	TS 1C 35 mm 1"3/8 Scanalato / Splined
	833600	GAMMA-IL 200 TS 1C	214.9	56.8	202.0	54.4	80	1160	42.2	31.5	69.0	

## Dimensioni d'ingombro (mm) - Overall Dimensions (mm)



# PENTA



Alcuni modelli di pompe della serie PENTA sono disponibili con doppia presa di forza.

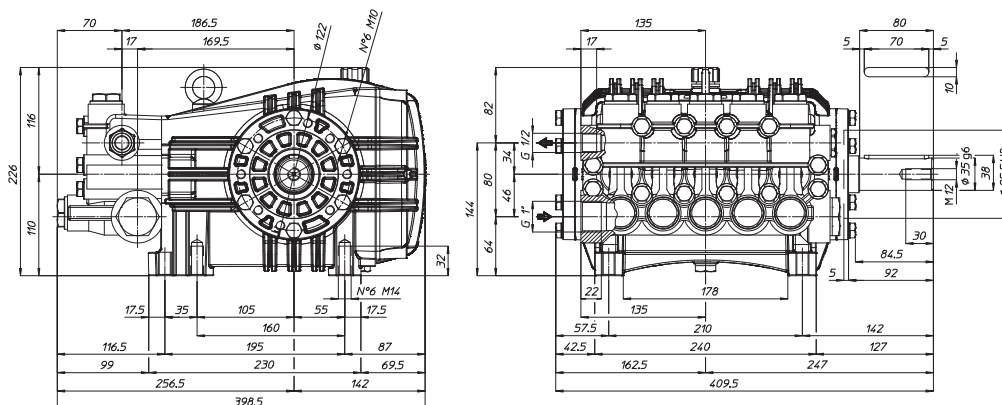
*Some pump models of PENTA series are available with double ended shaft*

RPM	CODICE CODE	MODELLO MODEL	PORTATA FLOW				PRESSIONE PRESSURE		POTENZA POWER		PESO WEIGHT	
			NOM.				bar	PSI	HP	kW		
			l/min	GPM	l/min	GPM						
1000	880900	PENTA-B 25/350 R	26.70	7.05	25.0	6.6	350	5075	22.4	16.7	43.8	R - Albero MASCHIO 35 mm DX R - MALE Shaft 35 mm RIGHT
	880700	PENTA-B 25/400 R	26.70	7.05	25.0	6.6	400	5800	25.6	19.1	43.8	
1450	880800	PENTA-C 35/350 R	38.7	10.2	35.0	9.2	350	5075	31.4	23.4	43.8	
	880600	PENTA-C 35/400 R	38.7	10.2	35.0	9.2	400	5800	35.9	26.8	43.8	

Tutti i modelli di Pompe sono disponibili con Presa di Forza Sinistra. Nel Modello compare "L". Esempio : PENTA-B 25/350 L

*All models of PUMPS are available with Left P.T.O. Shaft. Descriptions mention "L". For example : PENTA-B 25/350 L*

## Dimensioni d'ingombro (mm) - Overall Dimensions (mm)





Alcuni modelli di pompe della serie PENTA sono disponibili con doppia presa di forza.

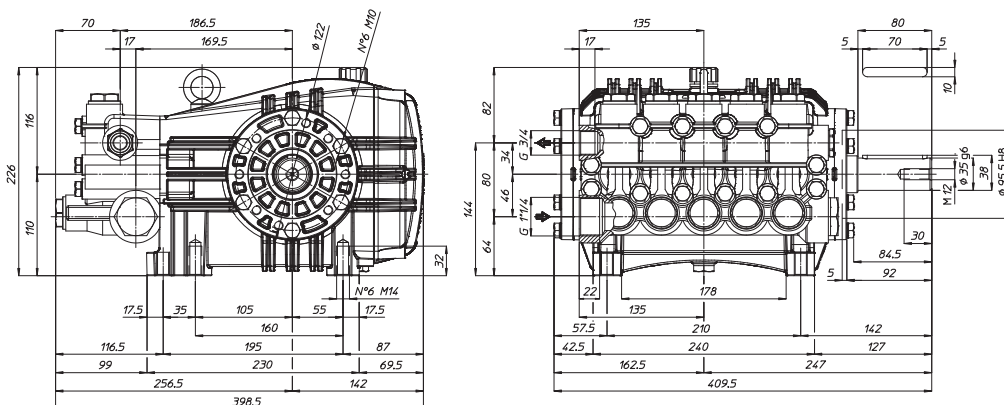
Some pump models of PENTA series are available with double ended shaft

RPM	CODICE CODE	MODELLO MODEL	PORTATA FLOW				PRESSIONE PRESSURE		POTENZA POWER		PESO WEIGHT	
			NOM.				bar	PSI	HP	kW		
			l/min	GPM	l/min	GPM						
1000	880500	PENTA-B 30/300 R	32.3	8.5	30.0	7.9	300	4350	23.1	17.2	43.8	R – Albero MASCHIO 35 mm DX R – MALE Shaft 35 mm RIGHT
	880300	PENTA-B 40/250 R	41.7	11.0	39.0	10.3	250	3625	25.0	18.7	43.8	
	883000	PENTA-B 40/300 R	41.8	11.1	40.0	10.6	300	4350	30.7	22.9	43.8	
	880100	PENTA-B 50/200 R	52.3	13.8	49.0	12.9	200	2900	25.1	18.7	43.8	
1450	880400	PENTA-C 43/300 R	46.9	12.4	43.0	11.4	300	4350	33.1	24.7	43.8	
	880200	PENTA-C 55/250 R	60.5	16.0	57.0	15.1	250	3625	36.5	27.2	43.8	
	882600	PENTA-C 58/300 R	60.6	16.0	58.0	15.3	300	4350	44.6	33.3	43.8	
	880000	PENTA-C 70/200 R	75.9	20.1	71.0	18.8	200	2900	36.4	27.2	43.8	

Tutti i modelli di Pompe sono disponibili con Presa di Forza Sinistra. Nel Modello compare "L". Esempio : PENTA-B 30/300 L

All models of PUMPS are available with Left P.T.O. Shaft. Descriptions mention "L". For example : PENTA-B 30/300 L

### Dimensioni d'ingombro (mm) - Overall Dimensions (mm)



# PENTA

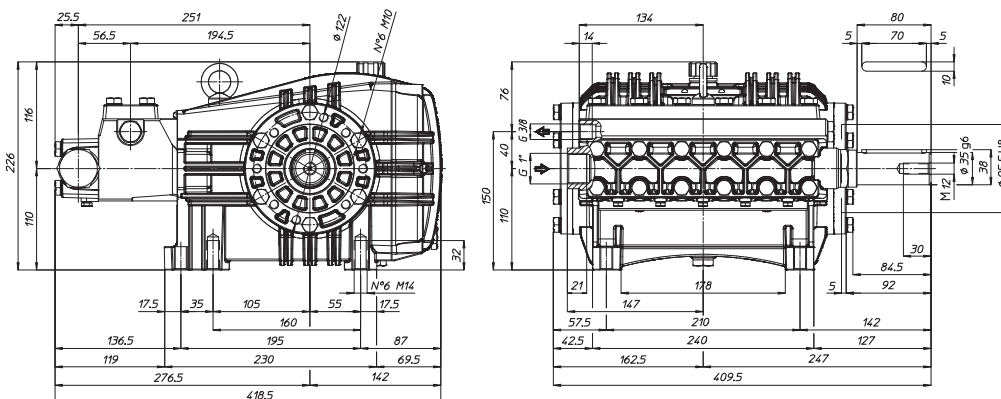


RPM	CODICE CODE	MODELLO MODEL	PORTATA FLOW				PRESSIONE PRESSURE		POTENZA POWER		PESO WEIGHT	
			NOM.				bar	PSI	HP	kW		
1000	884100	PENTA-B 21/500 R	22.1	5.8	21.0	5.5	500	7250	26.9	20.1	44.5	R - Albero MASCHIO 35 mm DX R - MALE Shaft 35 mm RIGHT
1450	883300	PENTA-C 30/500 R	32.1	8.5	30.0	7.9	500	7250	38.5	28.7	44.5	
1750	884300	PENTA-D 28/500 R	29.9	7.9	28.0	7.4	500	7250	35.9	26.8	44.5	

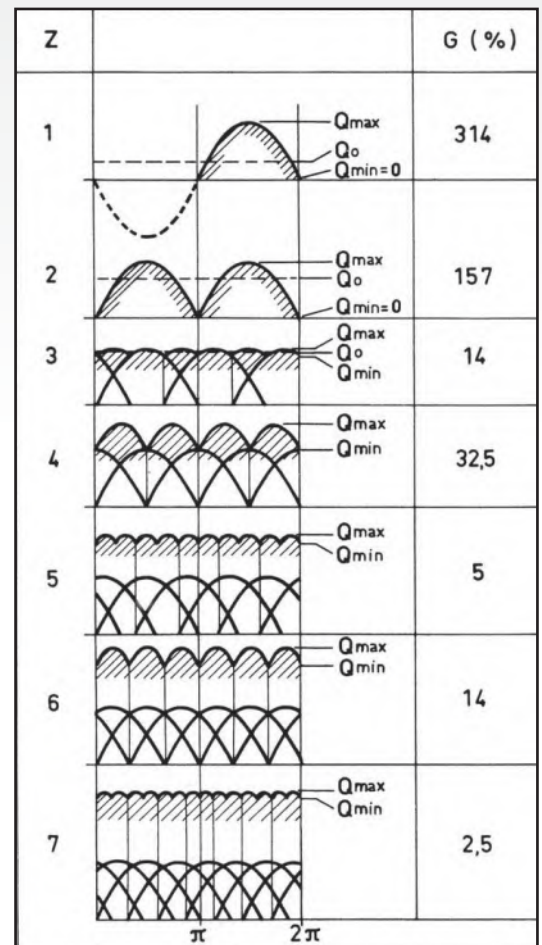
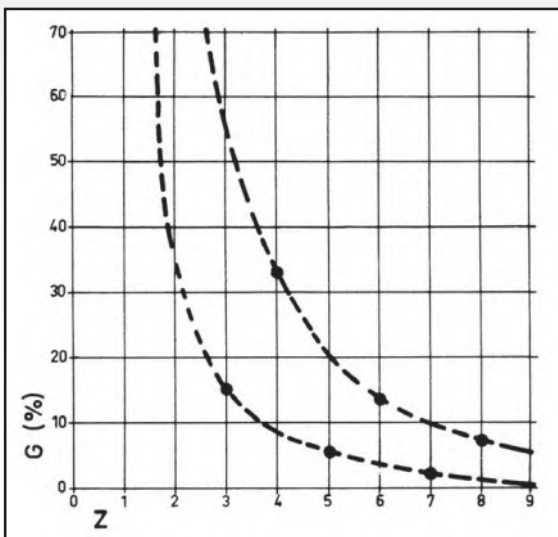
Tutti i modelli di Pompe sono disponibili con Presa di Forza Sinistra. Nel Modello compare "L". Esempio : PENTA-B 21/500 L

All models of PUMPS are available with Left P.T.O. Shaft. Descriptions mention "L". For example : PENTA-B 21/500 L

## Dimensioni d'ingombro (mm) - Overall Dimensions (mm)

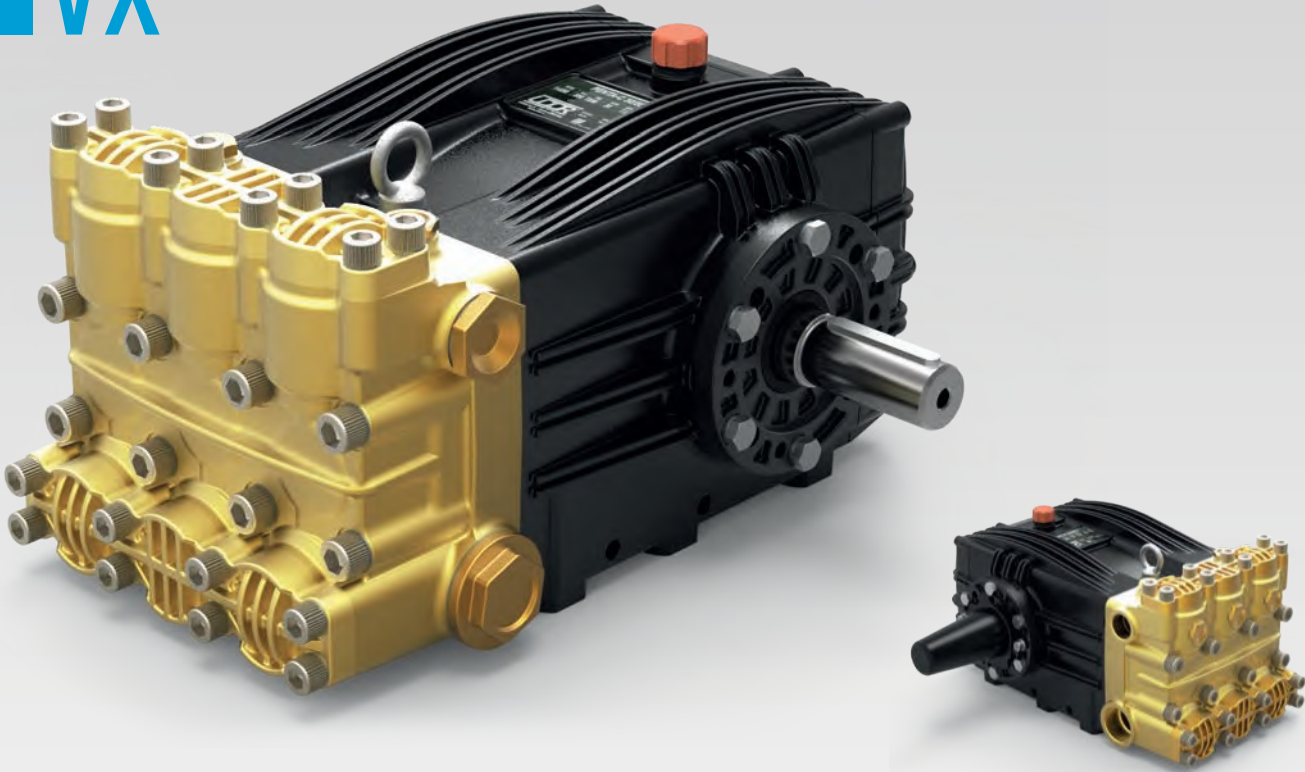


# PENTA



**1** = Curva relativa alle pompe a pistoni con numero dispari di pompanti.  
**2** = Curva relativa alle pompe a pistoni con numero pari di pompanti.  
**Z** = Numero dei denti o dei pompanti.  
**G (%)** = Grado di irregolarità  $\frac{(Q_{max} - Q_{min})}{Q_0}$   $Q_0$  = portata media.  
  
**1** = Irregularity curve for pumps with odd number of pistons.  
**2** = Irregularity curve for pumps with even number of pistons.  
**Z** = Number of pistons.  
**G (%)** = Degree of irregularity  $\frac{(Q_{max} - Q_{min})}{Q_0}$   $Q_0$  = average flow.

# VX



Alcuni modelli di pompe della serie VX sono disponibili con doppia presa di forza.

*Some pump models of VX series are available with double ended shaft.*

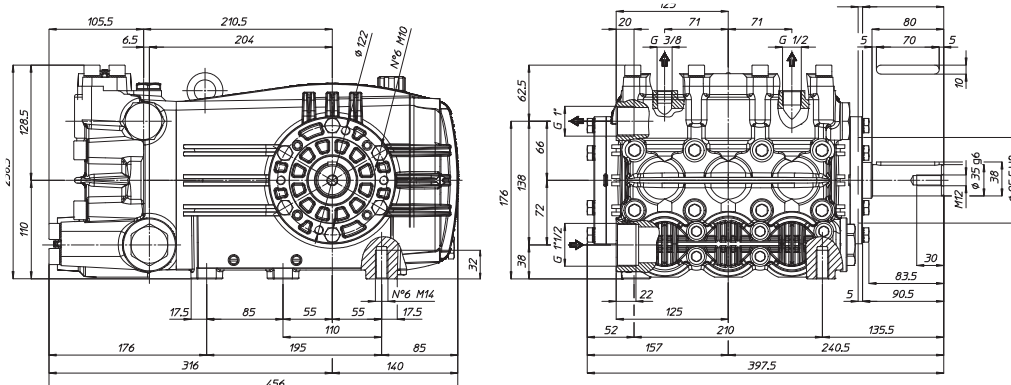
RPM	CODICE CODE	MODELLO MODEL	PORTATA FLOW				PRESSIONE PRESSURE		POTENZA POWER		PESO WEIGHT
			NOM.				bar	PSI	HP	kW	
800	847700	VX-A 161/110 R	160.3	42.4	155.0	41.0	110	1595	43.7	32.6	57.9
1000	847100	VX-B 100/200 R	101.3	26.8	98.0	25.9	200	2900	50.3	37.5	58.5
	847200	VX-B 130/160 R	128.3	33.9	125.0	33.0	160	2320	51.3	38.3	58.2
	847300	VX-B 160/130 R	158.3	41.8	157.0	41.5	130	1885	52.3	39.0	58.2
	814300	VX-B 200/100 R	200.4	52.9	199.0	52.6	100	1450	51.0	38.0	57.9
1450	217500	VX-C 100/200 R	112.5	29.7	100.0	26.4	200	2900	51.3	38.3	58.5

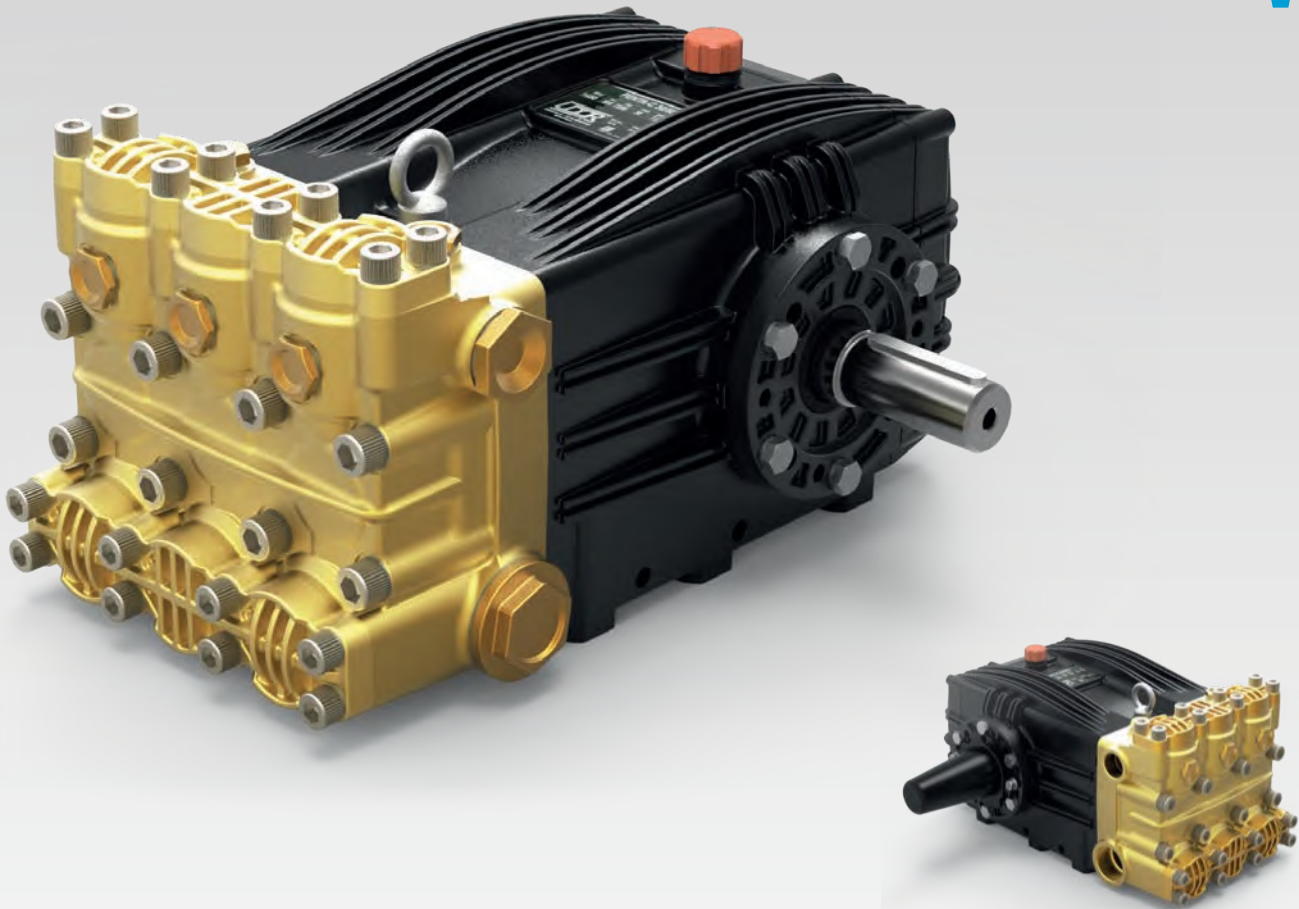
R – Albero MASCHIO 35 mm DX  
R – MALE Shaft 35 mm RIGHT

Tutti i modelli di Pompe sono disponibili con Presa di Forza Sinistra. Nel Modello compare "L". Esempio : VX-A 161/110 L

*All models of PUMPS are available with Left P.T.O. Shaft. Descriptions mention "L". For example : VX-A 161/110 L*

### Dimensioni d'ingombro (mm) - Overall Dimensions (mm)





Alcuni modelli di pompe della serie VX sono disponibili con doppia presa di forza.

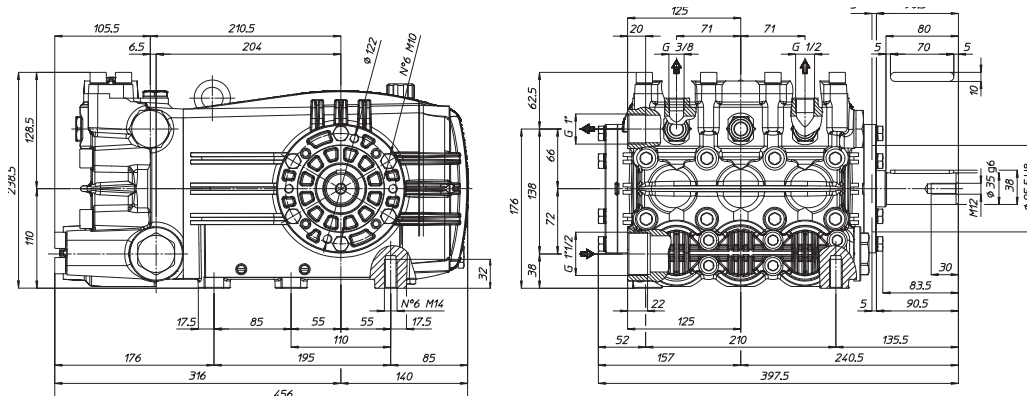
Some pump models of VX series are available with double ended shaft.

RPM	CODICE CODE	MODELLO MODEL	PORTATA FLOW				PRESSIONE PRESSURE		POTENZA POWER		PESO WEIGHT	
			NOM.				bar	PSI	HP	kW		
			l/min	GPM	l/min	GPM					Kg	
1000	836300	VX-B 60/350 R	64.7	17.1	60.0	15.9	350	5075	53.8	40.1	58.0	R - Albero MASCHIO 35 mm DX
	808800	VX-B 75/280 R	77.6	20.5	75.0	19.8	280	4060	53.8	40.1	58.0	R - MALE Shaft 35 mm RIGHT

Tutti i modelli di Pompe sono disponibili con Presa di Forza Sinistra. Nel Modello compare "L". Esempio : VX-B 60/350 L

All models of PUMPS are available with Left P.T.O. Shaft. Descriptions mention "L". For example : VX-B 60/350 L

### Dimensioni d'ingombro (mm) - Overall Dimensions (mm)



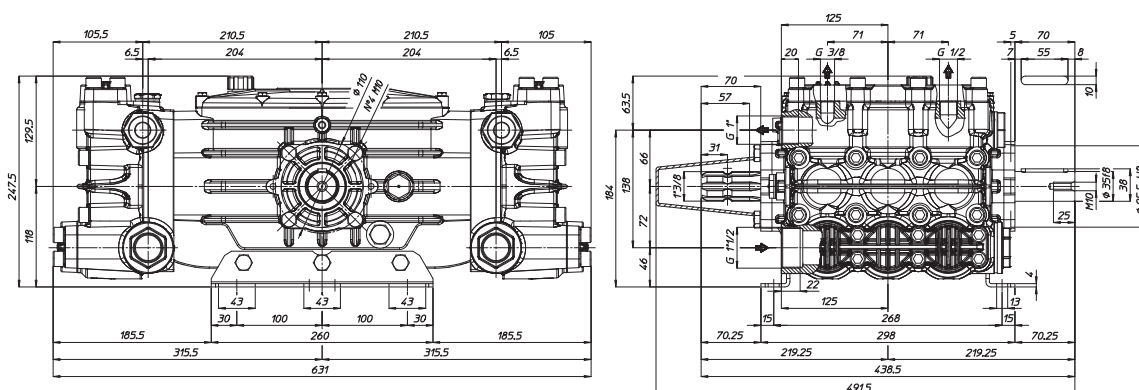


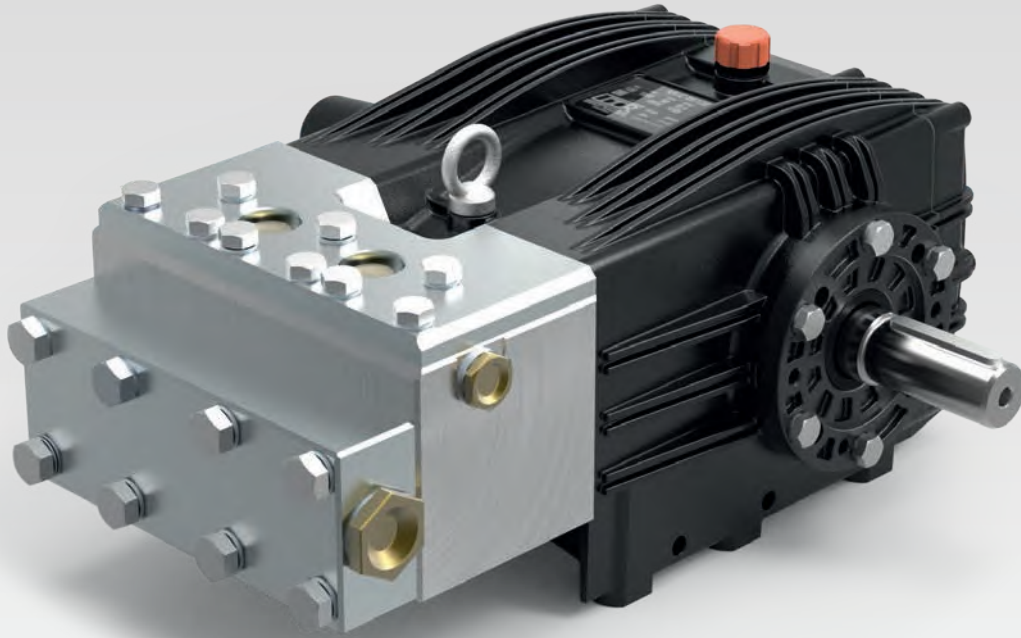
# VX6



RPM	CODICE CODE	MODELLO MODEL	PORTATA FLOW				PRESSIONE PRESSURE		POTENZA POWER		PESO WEIGHT	
			NOM.				bar	PSI	HP	kW		
			l/min	GPM	l/min	GPM					Kg	
800	915500	VX6-A 260/60 TS 1C	273.7	72.3	260.0	68.7	60	870	42.0	31.3	90.0	R - Albero MASCHIO 35 mm DX R - MALE Shaft 35 mm RIGHT
	915400	VX6-A 330/50 TS 1C	346.7	91.6	329.3	87.0	50	725	44.3	33.1	90.0	
	915300	VX6-A 410/40 TS 1C	433.4	114.5	411.7	108.8	40	580	44.3	33.1	90.0	

## Dimensioni d'ingombro (mm) - Overall Dimensions (mm)



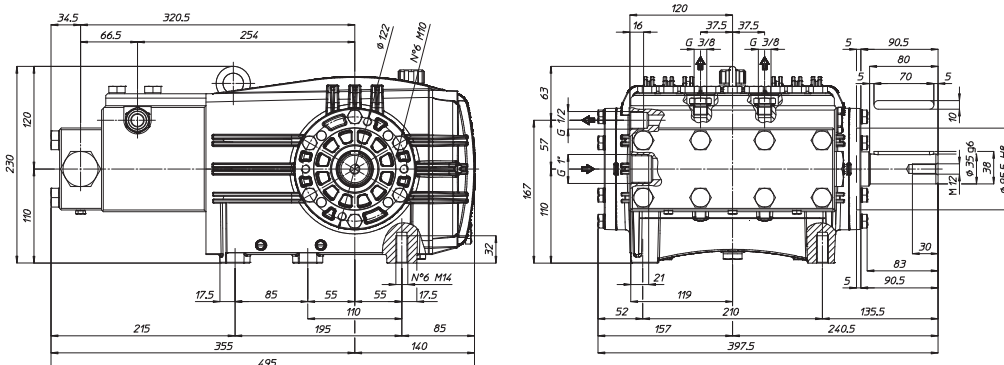


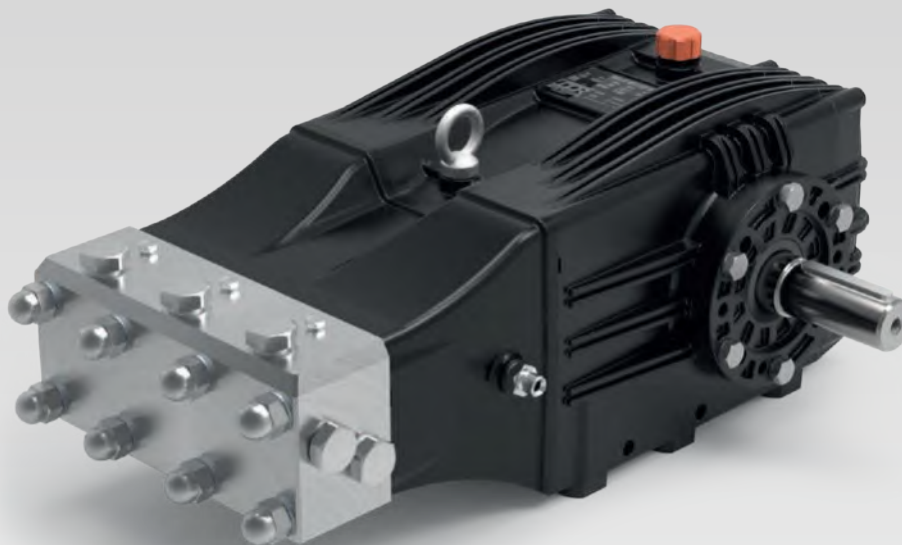
RPM	CODICE CODE	MODELLO MODEL	PORTATA FLOW				PRESSIONE PRESSURE		POTENZA POWER		PESO WEIGHT	
			NOM.				bar	PSI	HP	kW		
			l/min	GPM	l/min	GPM						
1000	834700	VH-B 40/500 R	42.4	11.2	40.0	10.6	500	7250	51.2	38.2	66.0	R – Albero MASCHIO 35 mm DX R – MALE Shaft 35 mm RIGHT

Tutti i modelli di Pompe sono disponibili con Presa di Forza Sinistra. Nel Modello compare "L". Esempio : VH-B 40/500 L

All models of PUMPS are available with Left P.T.O. Shaft. Descriptions mention "L". For example : VH-B 40/500 L

### Dimensioni d'ingombro (mm) - Overall Dimensions (mm)





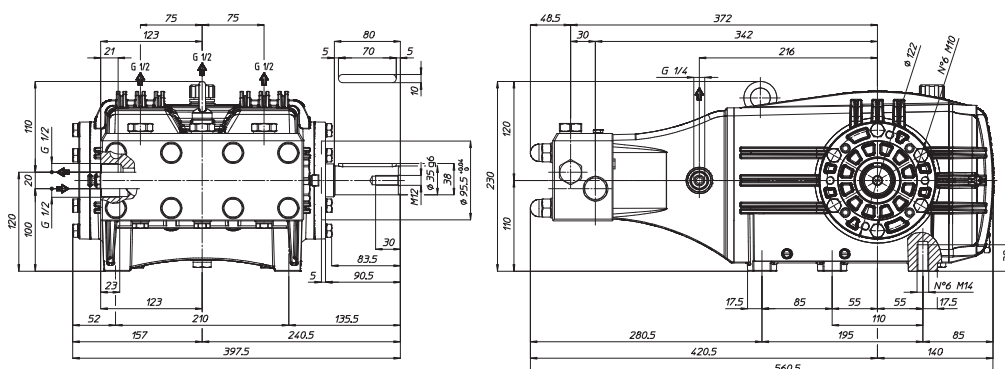
RPM	CODICE CODE	MODELLO MODEL	PORTATA FLOW				PRESSIONE PRESSURE		POTENZA POWER		PESO WEIGHT
			NOM.				bar	PSI	HP	kW	
			l/min	GPM	l/min	GPM					
1000	800300	VY-B 15/1000 R	16.2	4.3	14.6	3.9	1000	14500	37.4	27.9	61.5
	802500	VY-B 14/1250 R	16.2	4.3	14.1	3.7	1250	18130	45.2	33.7	61.5
	800700	VY-B 20/800 R	21.1	5.6	20.0	5.3	800	11600	41.0	30.6	60.0
	800100	VY-B 20/1000 R	20.8	5.5	19.5	5.2	1000	14500	50.0	37.3	61.5
	800900	VY-B 25/800 R	25.3	6.7	24.5	6.5	800	11600	50.3	37.5	60.0
1200	801200	VY-F 15/1000 R	16.9	4.5	15.0	4.0	1000	14500	38.4	28.7	61.5
	804200	VY-F 15/1250 R	16.9	4.5	14.5	3.8	1250	18130	46.4	34.6	61.5
	801400	VY-F 20/800 R	22.0	5.8	20.0	5.3	800	11600	41.0	30.6	60.0
	803500	VY-F 20/1000 R	22.0	5.8	19.5	5.2	1000	14500	50.0	37.3	60.0
1450	804400	VY-C 15/1000 R	17.2	4.6	15.0	4.0	1000	14500	38.5	28.7	61.5
	807200	VY-C 19/1000 R	20.7	5.5	18.6	4.9	1000	14500	47.7	35.6	61.5
1750	810200	VY-D 15/1000 R	18.1	4.8	15.5	4.1	1000	14500	39.8	29.7	61.5
	810400	VY-D 18/1000 R	20.8	5.5	18.1	4.8	1000	14500	46.4	34.6	61.5
	807400	VY-D 24/800 R	26.7	7.1	24.0	6.3	800	11600	49.2	36.7	61.5

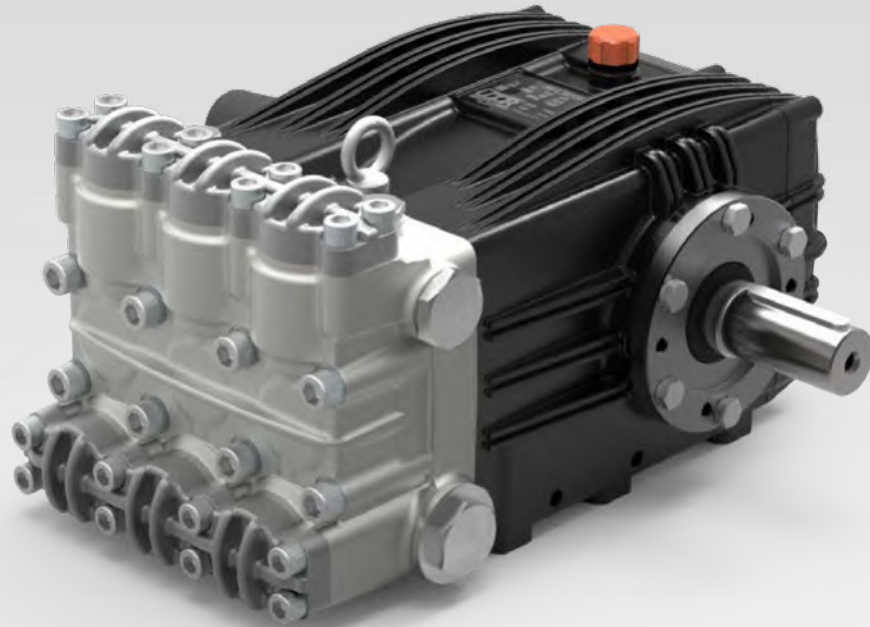
R - Albero MASCHIO 35 mm DX  
R - MALE Shaft 35 mm RIGHT

Tutti i modelli di Pompe sono disponibili con Presa di Forza Sinistra. Nel Modello compare "L". Esempio : VY-B 15/1000 L

All models of PUMPS are available with Left P.T.O. Shaft. Descriptions mention "L". For example : VY-B 15/1000 L

### Dimensioni d'ingombro (mm) - Overall Dimensions (mm)



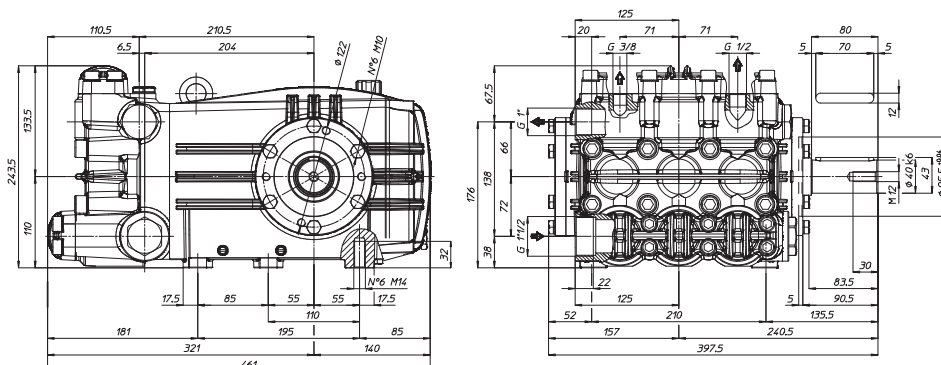


RPM	CODICE CODE	MODELLO MODEL	PORTATA FLOW				PRESSIONE PRESSURE		POTENZA POWER		PESO WEIGHT	
			NOM.				bar	PSI	HP	kW		
			l/min	GPM	l/min	GPM						
1000	910800	VXX-B 130/220 R	128.3	33.9	125.0	33.0	220	3190	70.5	52.6	58.7	R - Albero MASCHIO 40 mm DX R - MALE Shaft 40 mm RIGHT
	911000	VXX-B 160/180 R	158.3	41.8	157.0	41.5	180	2610	72.5	54.1	62.0	
	911200	VXX-B 200/150 R	200.4	52.9	199.0	52.6	150	2175	76.5	57.1	62.0	

Tutti i modelli di Pompe sono disponibili con Presa di Forza Sinistra. Nel Modello compare "L". Esempio : VXX-B 130/220 L

All models of PUMPS are available with Left P.T.O. Shaft. Descriptions mention "L". For example : VXX-B 130/220 L

### Dimensioni d'ingombro (mm) - Overall Dimensions (mm)





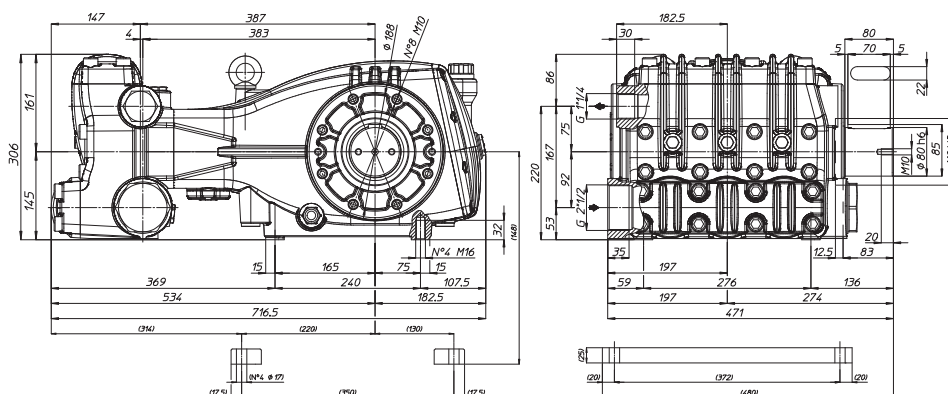
RPM	CODICE CODE	MODELLO MODEL	PORTATA FLOW				PRESSIONE PRESSURE		POTENZA POWER		PESO WEIGHT
			NOM.				bar	PSI	HP	kW	
			l/min	GPM	l/min	GPM					Kg
800	310500	HX-A 135/300 R	135.1	35.7	128.0	33.8	300	4350	98.5	73.5	167.0
	310400	HX-A 160/240 R	171.0	45.2	162.0	42.8	240	3480	99.7	74.3	167.0
	310300	HX-A 200/200 R	211.1	55.8	201.0	53.1	200	2900	103.1	76.9	167.0
	310200	HX-A 250/160 R	267.2	70.6	254.0	67.1	160	2320	104.2	77.7	167.0
	310100	HX-A 310/130 R	329.9	87.1	313.0	82.7	130	1885	104.3	77.8	167.0
	310000	HX-A 400/100 R	399.1	105.4	379.0	100.0	100	1450	97.2	75.5	167.0

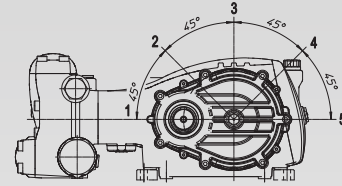
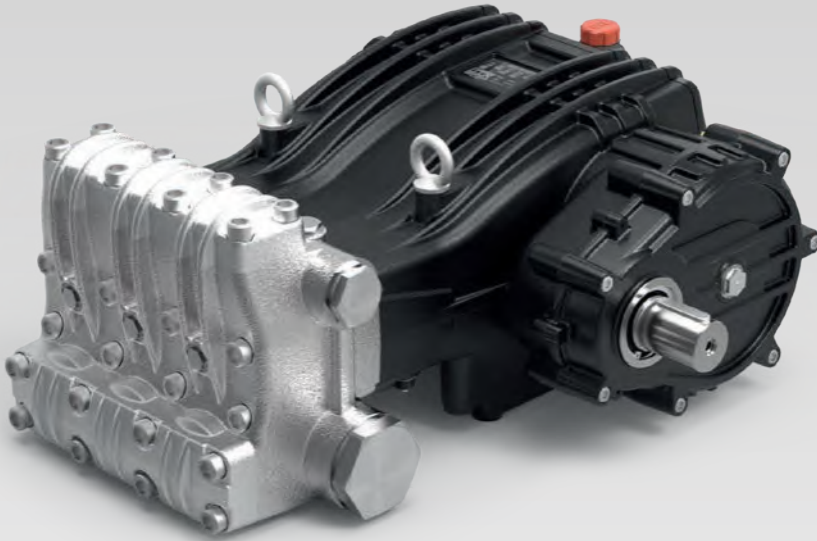
R – Albero MASCHIO 80 mm DX  
R – MALE Shaft 80 mm RIGHT

Tutti i modelli di Pompe sono disponibili con Presa di Forza Sinistra. Nel Modello compare "L". Esempio : HX-A 135/300 L

All models of PUMPS are available with Left P.T.O. Shaft. Descriptions mention "L". For example : HX-A 135/300 L

### Dimensioni d'ingombro (mm) - Overall Dimensions (mm)





In base alle esigenze dell'installatore, il Riduttore può essere installato nelle cinque posizioni 1,2,3,4,5 come illustrato.  
Esempio d'ordine: HXR1-C 135/300 R diventa HXR2-C 135/300 R.  
Per informazione su prezzi e codici per favore contattare l'azienda.

*Depending on specific needs, the Gearbox can be mounted in five different Positions 1,2,3,4,5 as shown in the following picture.  
For example: HXR1-C 135/300 R becomes HXR2-C 135/300 R.  
For price and code information please contact us.*

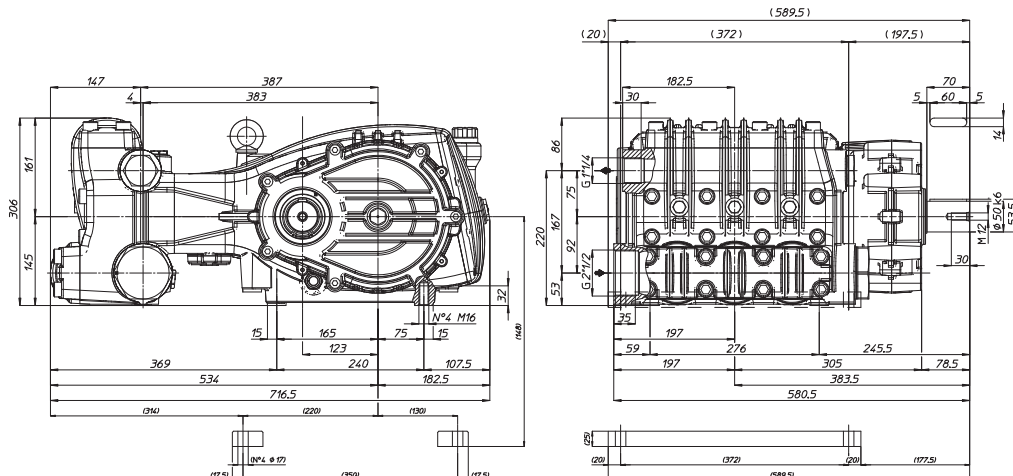
RPM	CODICE CODE	MODELLO MODEL	PORTATA FLOW				PRESSIONE PRESSURE		POTENZA POWER		PESO WEIGHT
			NOM.				bar	PSI	HP	kW	
			l/min	GPM	l/min	GPM					
1500	317600	HXR1-C 135/300 R	135.1	35.7	128.0	33.8	300	4350	98.5	73.5	187.0
	317300	HXR1-C 160/240 R	171.0	45.2	162.0	42.8	240	3480	99.7	74.3	187.0
	317000	HXR1-C 200/200 R	211.1	55.8	201.0	53.1	200	2900	103.1	76.9	187.0
	316700	HXR1-C 250/160 R	267.2	70.6	254.0	67.1	160	2320	104.2	77.7	187.0
	316400	HXR1-C 310/130 R	329.9	87.1	313.0	82.7	130	1885	104.3	77.8	187.0
	316100	HXR1-C 400/100 R	399.1	105.4	379.0	100.0	100	1450	97.2	75.5	187.0
1800	317700	HXR1-D 135/300 R	135.1	35.7	128.0	33.8	300	4350	98.5	73.5	187.0
	317400	HXR1-D 160/240 R	171.0	45.2	162.0	42.8	240	3480	99.7	74.3	187.0
	317100	HXR1-D 200/200 R	211.1	55.8	201.0	53.1	200	2900	103.1	76.9	187.0
	316800	HXR1-D 250/160 R	267.2	70.6	254.0	67.1	160	2320	104.2	77.7	187.0
	316500	HXR1-D 310/130 R	329.9	87.1	313.0	82.7	130	1885	104.3	77.8	187.0
	316200	HXR1-D 400/100 R	399.1	105.4	379.0	100.0	100	1450	97.2	75.5	187.0
2200	317500	HXR1-M 135/300 R	135.1	35.7	128.0	33.8	300	4350	98.5	73.5	187.0
	317200	HXR1-M 160/240 R	171.0	45.2	162.0	42.8	240	3480	99.7	74.3	187.0
	316900	HXR1-M 200/200 R	211.1	55.8	201.0	53.1	200	2900	103.1	76.9	187.0
	316600	HXR1-M 250/160 R	267.2	70.6	254.0	67.1	160	2320	104.2	77.7	187.0
	316300	HXR1-M 310/130 R	329.9	87.1	313.0	82.7	130	1885	104.3	77.8	187.0
	316000	HXR1-M 400/100 R	399.1	105.4	379.0	100.0	100	1450	97.2	75.5	187.0

R - Albero MASCHIO 50 mm DX  
R - MALE Shaft 50 mm RIGHT

Tutti i modelli di Pompe sono disponibili con Presa di Forza Sinistra. Nel Modello compare "L". Esempio : HXR1-C 135/300 L

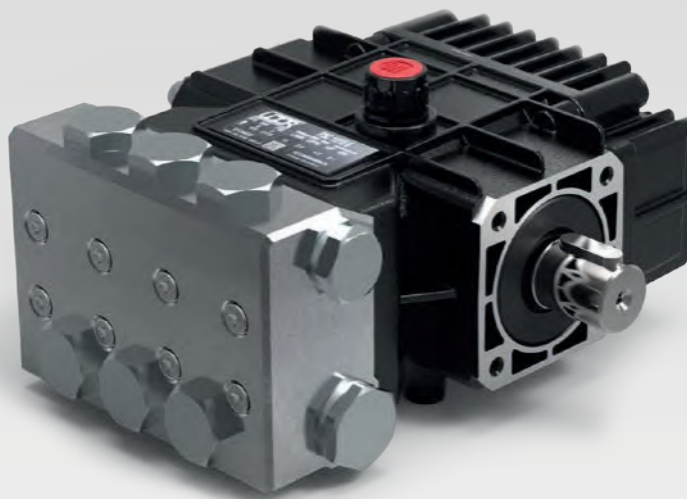
All models of PUMPS are available with Left P.T.O. Shaft. Descriptions mention "L". For example : HXR1-C 135/300 L

## Dimensioni d'ingombro (mm) - Overall Dimensions (mm)



# PS

INOX-STAINLESS STEEL



Materiale Testata : Acciaio INOX AISI 316L

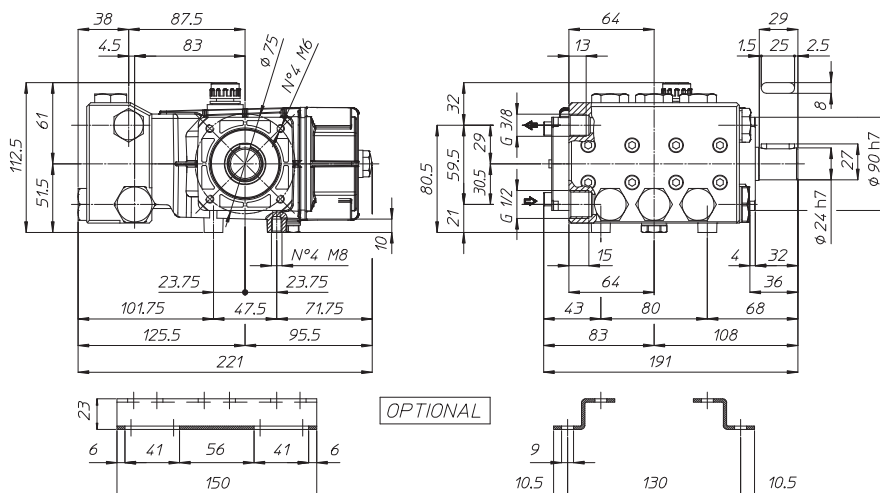
Head Material : SS AISI 316L

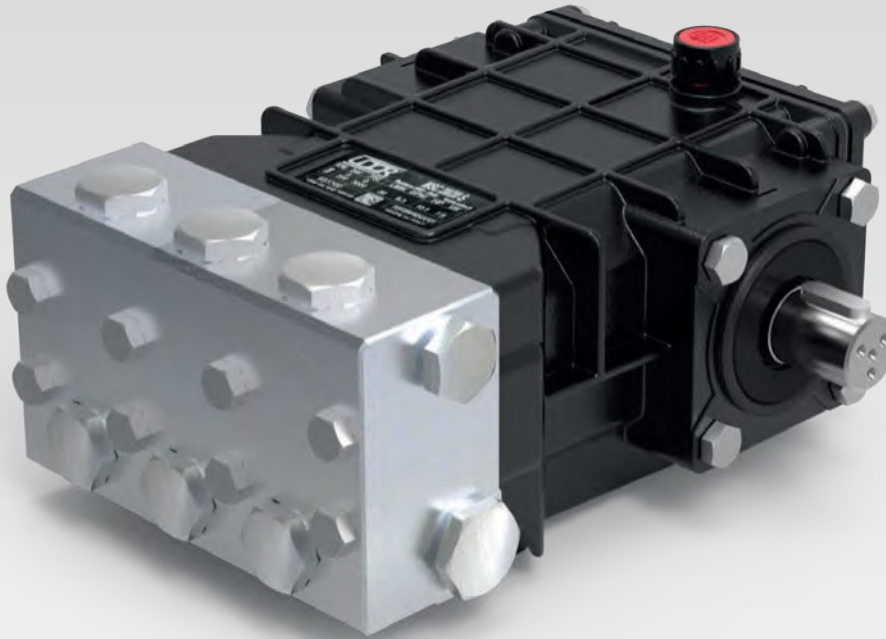
RPM	CODICE CODE	MODELLO MODEL	PORTATA FLOW		PRESSIONE PRESSURE		POTENZA POWER		PESO WEIGHT	
			l/min	GPM	bar	PSI	HP	kW		
1450	270600	PSC 06/15 S	5.7	1.5	150	2175	2.2	1.6	6.6	S - Albero MASCHIO 24 mm DX S - MALE Shaft 24 mm RIGHT
	915800	PSC 11/15 S	11.0	2.9	150	2175	4.2	3.1	6.6	
	915900	PSC 13/15 S	13.0	3.4	150	2175	5.0	3.7	6.6	

Tutti i modelli di Pompe sono disponibili con Presa di Forza Sinistra. Nel Modello compare "-L". Esempio : PSC 11/15 S-L

All models of PUMPS are available with Left P.T.O. Shaft. Descriptions mention "-L". For example : PSC 11/15 S-L

### Dimensioni d'ingombro (mm) - Overall Dimensions (mm)





Materiale Testata : Acciaio INOX AISI 316L

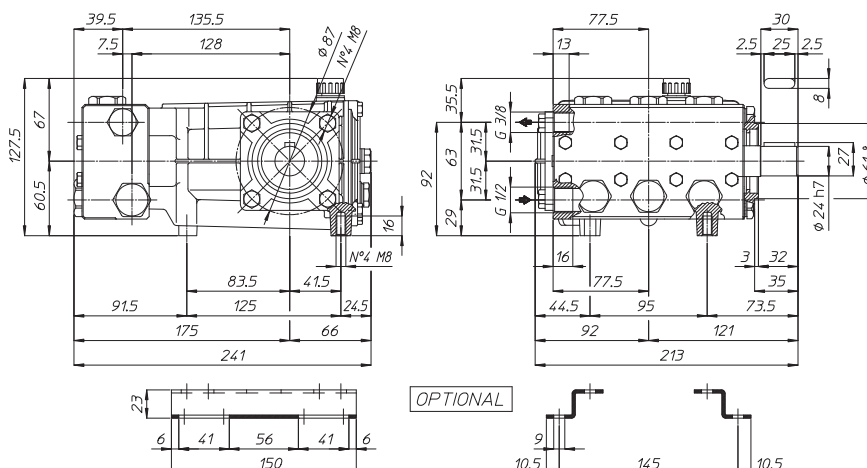
Head Material : SS AISI 316L

RPM	CODICE CODE	MODELLO MODEL	PORTATA FLOW		PRESSIONE PRESSURE		POTENZA POWER		PESO WEIGHT	
			l/min	GPM	bar	PSI	HP	kW		
1450	931800	MSC 16/20 S	16.0	4.2	200	2900	8.2	6.1	10.3	S - Albero MASCHIO 24 mm DX S - MALE Shaft 24 mm RIGHT
	931700	MSC 20/20 S	20.0	5.3	200	2900	10.3	7.7	10.3	

Tutti i modelli di Pompe sono disponibili con Presa di Forza Sinistra. Nel Modello compare "-L". Esempio : MSC 16/20 S-L

All models of PUMPS are available with Left P.T.O. Shaft. Descriptions mention "-L". For example : MSC 16/20 S-L

**Dimensioni d'ingombro (mm) - Overall Dimensions (mm)**





# CS

INOX-STAINLESS STEEL



Materiale Testata : Acciaio INOX AISI 316L

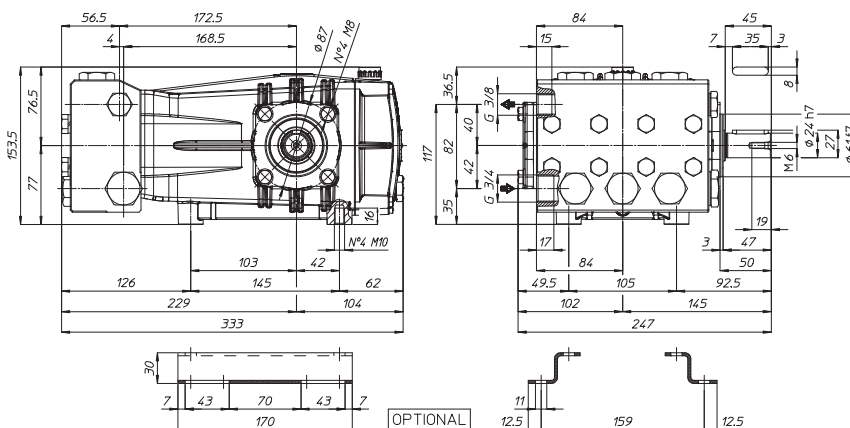
Head Material : SS AISI 316L

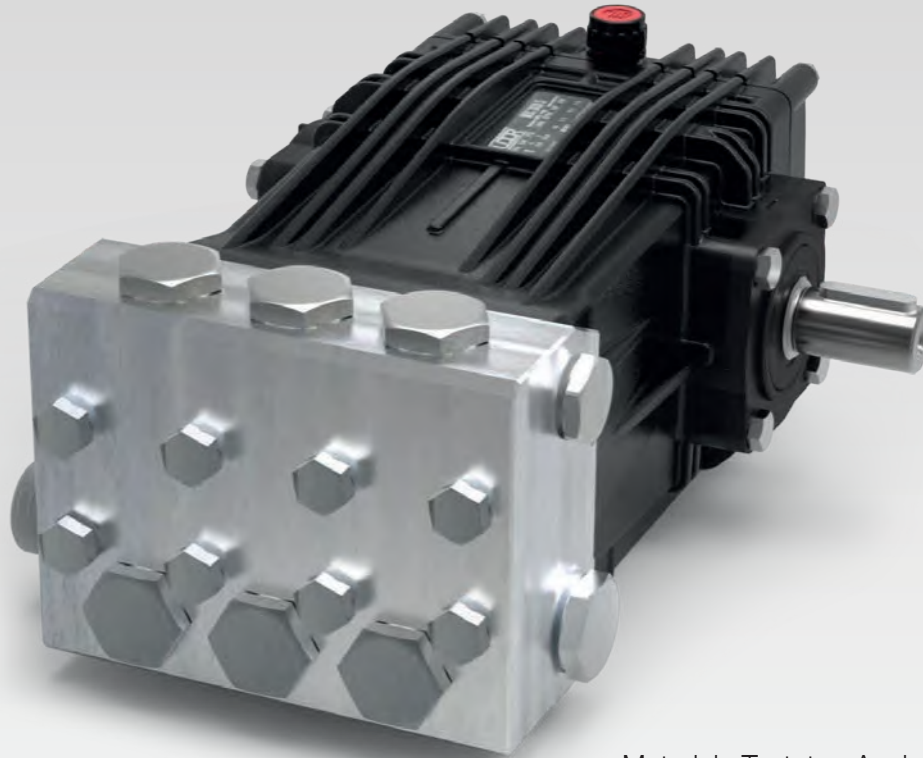
RPM	CODICE CODE	MODELLO MODEL	PORTATA FLOW		PRESSIONE PRESSURE		POTENZA POWER		PESO WEIGHT	
			l/min	GPM	bar	PSI	HP	kW		
1450	620000	CSC 27/20 S	27.0	7.1	200	2900	13.8	10.3	19.6	S - Albero MASCHIO 24 mm DX
	620100	CSC 34/20 S	34.0	9.0	200	2900	17.4	13.0	19.6	S - MALE Shaft 24 mm RIGHT

Tutti i modelli di Pompe sono disponibili con Presa di Forza Sinistra. Nel Modello compare "-L". Esempio : CSC 27/20 S-L

All models of PUMPS are available with Left P.T.O. Shaft. Descriptions mention "-L". For example : CSC 27/20 S-L

### Dimensioni d'ingombro (mm) - Overall Dimensions (mm)





Materiale Testata : Acciaio INOX AISI 316L

Head Material : SS AISI 316L

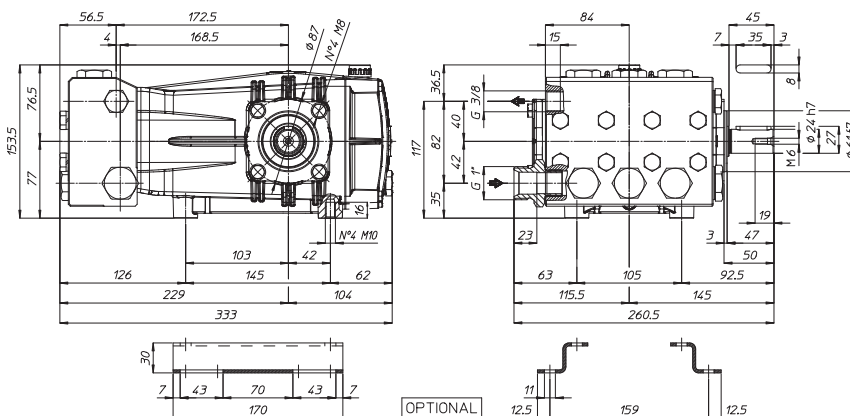
RPM	CODICE CODE	MODELLO MODEL	PORTATA FLOW		PRESSIONE PRESSURE		POTENZA POWER		PESO WEIGHT	
			l/min	GPM	bar	PSI	HP	kW		
1450	620200	CSC 42/17 S	44.0	11.6	170	2465	19.2	14.3	19.7	S - Albero MASCHIO 24 mm DX
	620300	CSC 50/15 S	50.0	13.2	150	2175	19.2	14.3	19.7	S - MALE Shaft 24 mm RIGHT

- **Minimo 0.1 bar (1.45 PSI) di Pressione in Entrata / Min. 0.1 bar (1.45 PSI) Inlet Pressure**

Tutti i modelli di Pompe sono disponibili con Presa di Forza Sinistra. Nel Modello compare "-L". Esempio : CSC 42/15 S-L

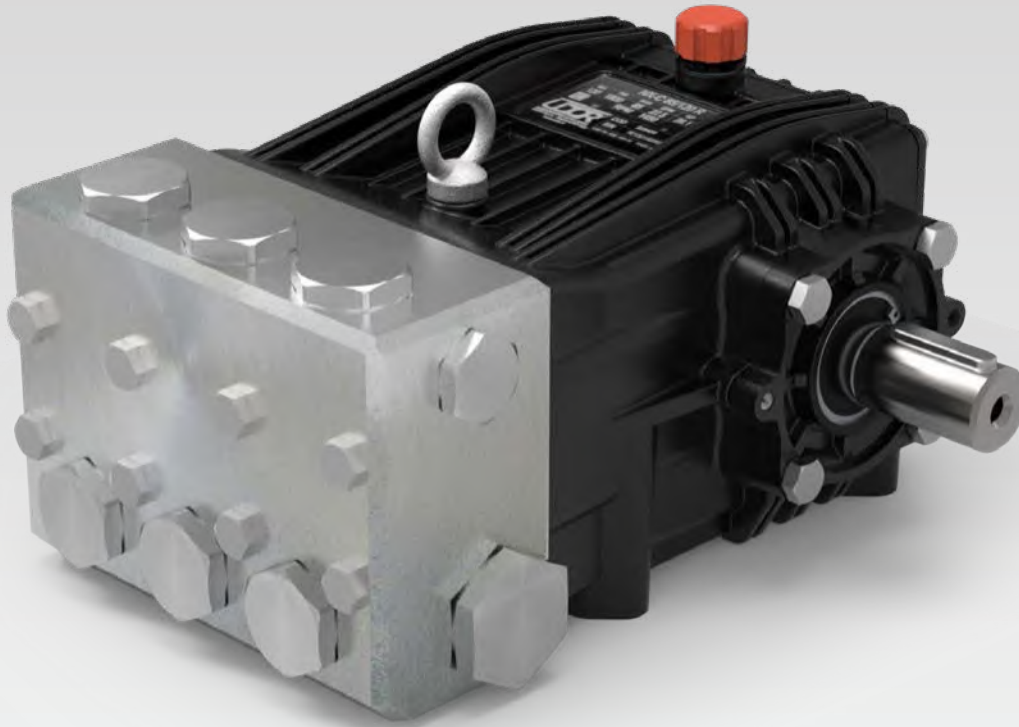
All models of PUMPS are available with Left P.T.O. Shaft. Descriptions mention "-L". For example : CSC 42/15 S-L

### Dimensioni d'ingombro (mm) - Overall Dimensions (mm)



# NXS

INOX-STAINLESS STEEL



Materiale Testata : Acciaio INOX AISI 316L

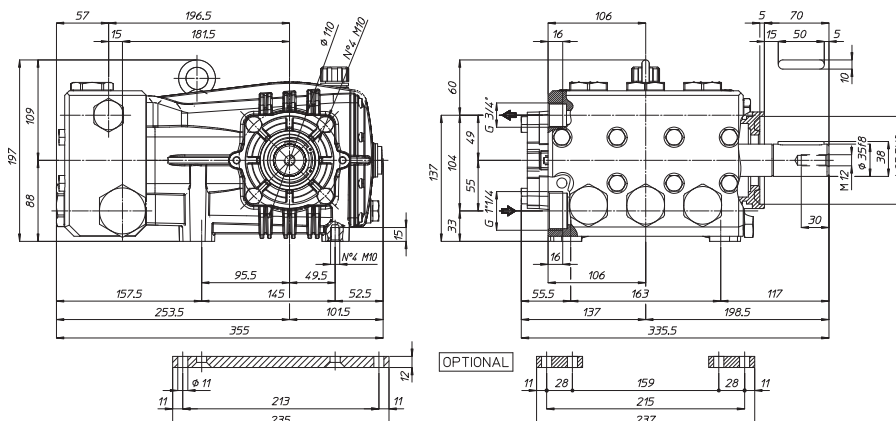
Head Material : SS AISI 316L

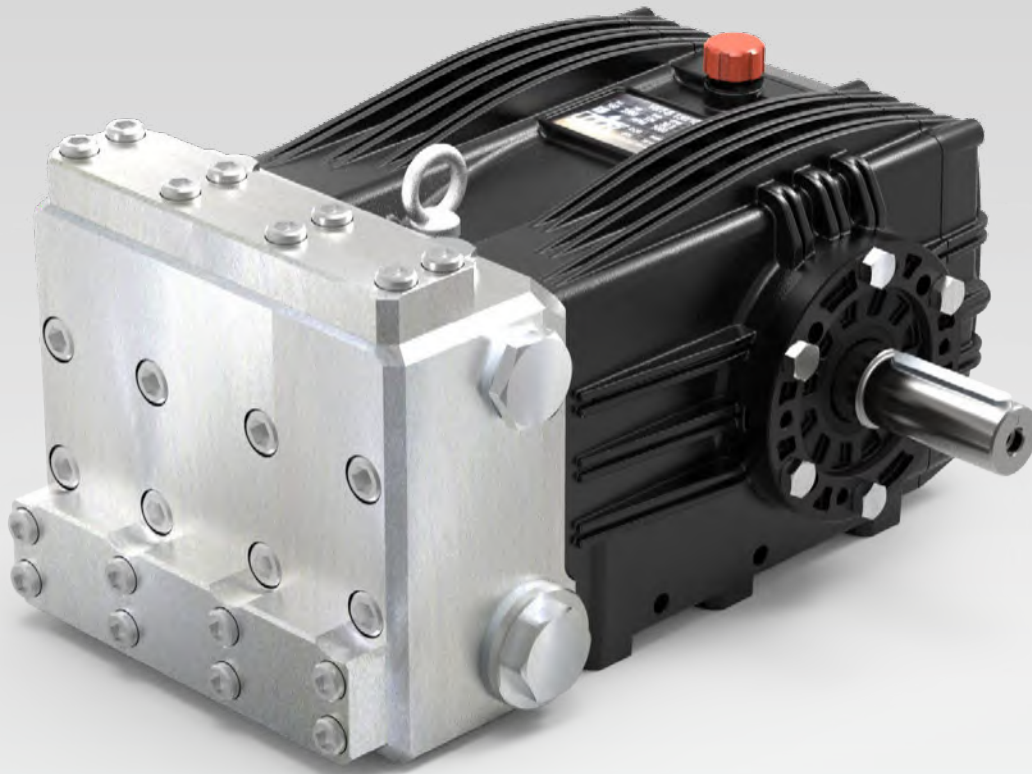
RPM	CODICE CODE	MODELLO MODEL	PORTATA FLOW				PRESSIONE PRESSURE		POTENZA POWER		PESO WEIGHT	
			NOM.				bar	PSI	HP	kW		
1450	811100	NXS-C 75/120 R	80.3	21.2	75.0	19.8	120	1740	23.1	17.0	36.1	S - Albero MASCHIO 35 mm DX S - MALE Shaft 35 mm RIGHT
	811200	NXS-C 85/120 R	91.1	24.1	87.1	23.0	120	1740	26.8	19.7	36.1	
	811300	NXS-C 100/100 R	104.5	27.6	100.0	26.4	100	1450	25.6	18.9	36.1	

Tutti i modelli di Pompe sono disponibili con Presa di Forza Sinistra. Nel Modello compare "L". Esempio : NXS-C 85/150 L

All models of PUMPS are available with Left P.T.O. Shaft. Descriptions mention "L". For example : NXS-C 85/150 L

## Dimensioni d'ingombro (mm) - Overall Dimensions (mm)





Materiale Testata : Acciaio INOX AISI 316L

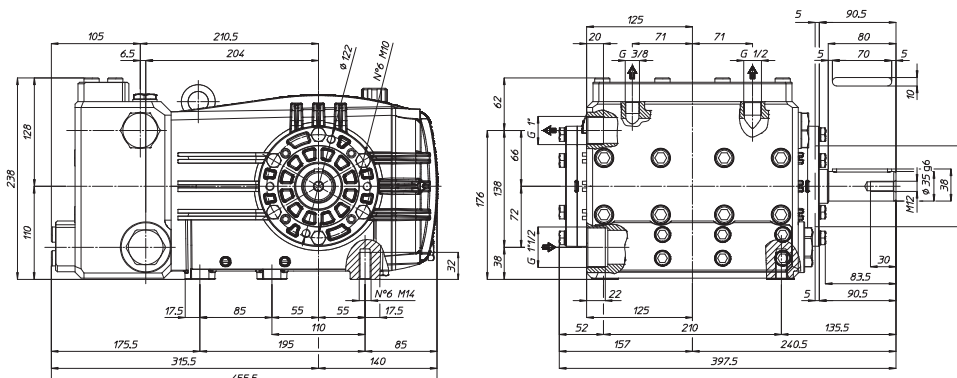
Head Material : SS AISI 316L

RPM	CODICE CODE	MODELLO MODEL	PORTATA FLOW				PRESSIONE PRESSURE		POTENZA POWER		PESO WEIGHT	
			NOM.				bar	PSI	HP	kW		
			l/min	GPM	l/min	GPM					Kg	
1000	818800	VXS-B 100/200 R	101.3	26.8	98.0	25.9	200	2900	50.3	37.5	68.0	R – Albero MASCHIO 35 mm DX R – MALE Shaft 35 mm RIGHT
	818900	VXS-B 130/160 R	128.3	33.9	125.0	33.0	160	2320	51.3	38.3	68.0	
	819000	VXS-B 160/130 R	158.3	41.8	157.0	41.5	130	1885	52.3	39.0	68.0	

Tutti i modelli di Pompe sono disponibili con Presa di Forza Sinistra. Nel Modello compare "L". Esempio : VXSB 100/200 L

All models of PUMPS are available with Left P.T.O. Shaft. Descriptions mention "L". For example : VXSB 100/200 L

### Dimensioni d'ingombro (mm) - Overall Dimensions (mm)



# PKWT

HIGH WATER TEMPERATURE 85°C

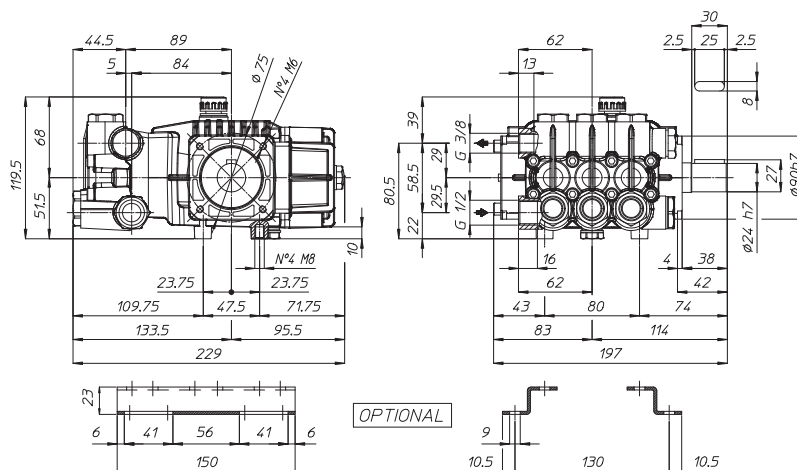


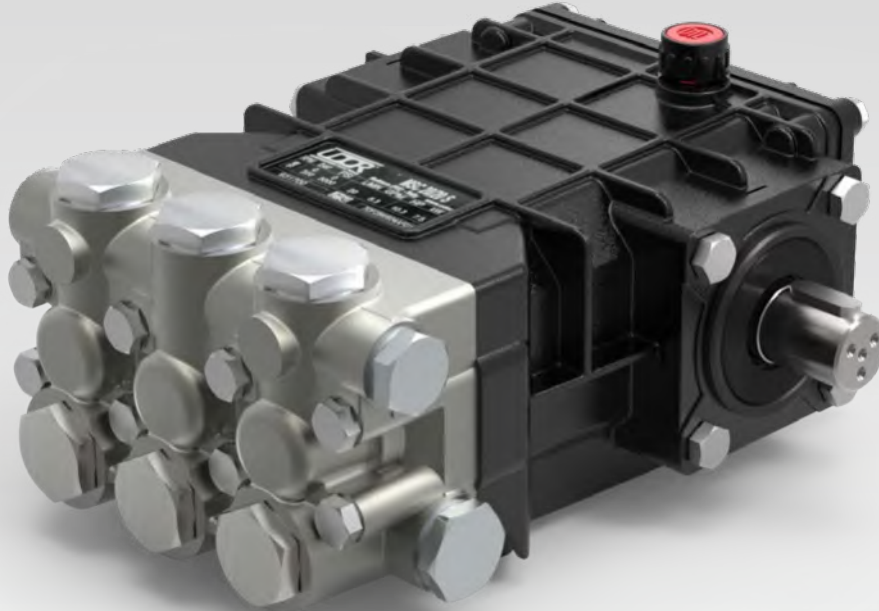
RPM	CODICE CODE	MODELLO MODEL	PORTATA FLOW		PRESSIONE PRESSURE		POTENZA POWER		PESO WEIGHT	
			l/min	GPM	bar	PSI	HP	kW		
1450	270300	PKWTC 11/15 S	11.0	2.9	150	2175	4.2	3.1	6.2	S - Albero MASCHIO 24 mm DX S - MALE Shaft 24 mm RIGHT
	270200	PKWTC 13/15 S	13.0	3.4	150	2175	5.0	3.7	6.2	

Tutti i modelli di Pompe sono disponibili con Presa di Forza Sinistra. Nel Modello compare "L". Esempio : PKWTC 11/15 S-L

All models of PUMPS are available with Left P.T.O. Shaft. Descriptions mention "L". For example : PKWTC 11/15 S-L

## Dimensioni d'ingombro (mm) - Overall Dimensions (mm)



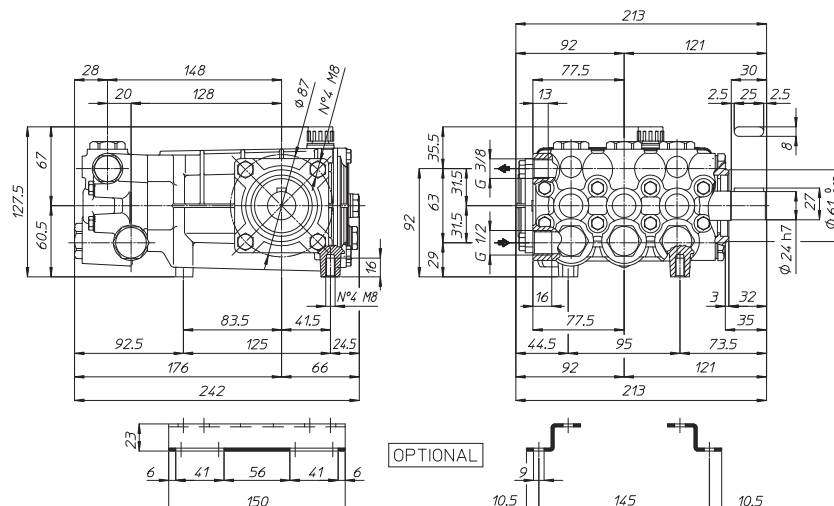


RPM	CODICE CODE	MODELLO MODEL	PORTATA FLOW		PRESSIONE PRESSURE		POTENZA POWER		PESO WEIGHT	
			l/min	GPM	bar	PSI	HP	kW		
1450	927100	MWTC 16/15 S	16.0	4.2	150	2175	6.2	4.6	9.3	S - Albero MASCHIO 24 mm DX S - MALE Shaft 24 mm RIGHT
	927000	MWTC 20/15 S	20.0	5.3	150	2175	7.7	5.7	9.3	

Tutti i modelli di Pompe sono disponibili con Presa di Forza Sinistra. Nel Modello compare "-L". Esempio : MWTC 16/15 S-L

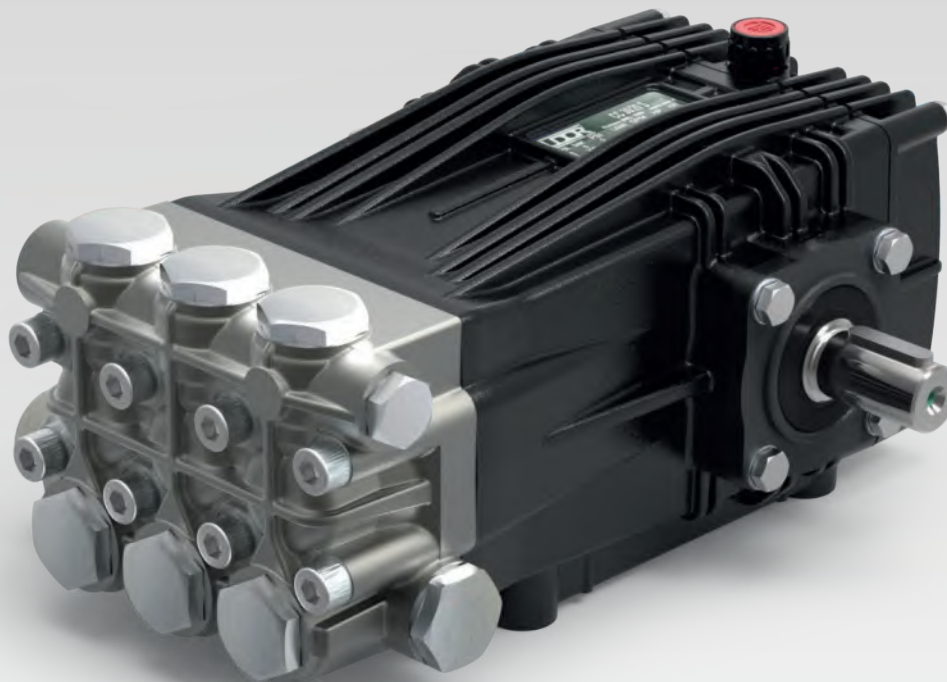
All models of PUMPS are available with Left P.T.O. Shaft. Descriptions mention "-L". For example : MWTC 16/15 S-L

### Dimensioni d'ingombro (mm) - Overall Dimensions (mm)



# CWT

HIGH WATER TEMPERATURE 85°C

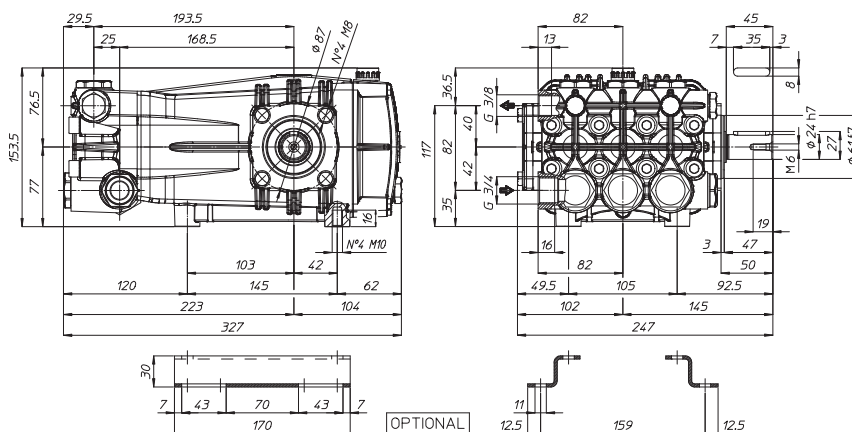


RPM	CODICE CODE	MODELLO MODEL	PORTATA FLOW		PRESSIONE PRESSURE		POTENZA POWER		PESO WEIGHT	
			l/min	GPM	bar	PSI	HP	kW		
1450	904500	CWTC 27/20 S	27.0	7.1	200	2900	13.8	10.3	15.8	S - Albero MASCHIO 24 mm DX S - MALE Shaft 24 mm RIGHT
	904400	CWTC 34/20 S	34.0	9.0	200	2900	17.4	13.0	15.8	

Tutti i modelli di Pompe sono disponibili con Presa di Forza Sinistra. Nel Modello compare "-L". Esempio : CWTC 27/20 S-L

All models of PUMPS are available with Left P.T.O. Shaft. Descriptions mention "-L". For example : CWTC 27/20 S-L

## Dimensioni d'ingombro (mm) - Overall Dimensions (mm)





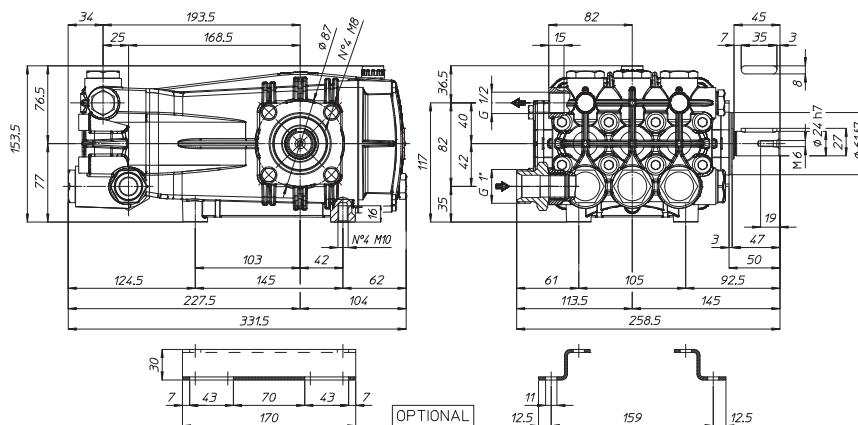
RPM	CODICE CODE	MODELLO MODEL	PORTATA FLOW		PRESSIONE PRESSURE		POTENZA POWER		PESO WEIGHT	
			l/min	GPM	bar	PSI	HP	kW		
1450	904600	CWTC 42/17 S	44.0	11.6	170	2465	19.2	14.3	15.9	S - Albero MASCHIO 24 mm DX
	904700	CWTC 50/15 S	50.0	13.2	150	2175	19.2	14.3	15.9	S - MALE Shaft 24 mm RIGHT

- Minimo 0.1 bar (1.45 PSI) di Pressione in Entrata / Min. 0.1 bar (1.45 PSI) Inlet Pressure

Tutti i modelli di Pompe sono disponibili con Presa di Forza Sinistra. Nel Modello compare "-L". Esempio : CWTC 42/15 S-L

All models of PUMPS are available with Left P.T.O. Shaft. Descriptions mention "-L". For example : CWTC 42/15 S-L

### Dimensioni d'ingombro (mm) - Overall Dimensions (mm)







RPM	CODICE CODE	MODELLO MODEL	PORTATA FLOW		PRESSIONE PRESSURE		POTENZA POWER		VOLTAGGIO VOLTAGE	ACCOPIAMENTO COUPLING
			l/min	GPM	bar	PSI	HP	kW		
1450	497700	ED-PNC 11/11 S	11.0	2.9	110	1595	3.0	2.2	230	DIRETTO DIRECT
	498000	ED-PNC 11/11 S	11.0	2.9	110	1595	3.0	2.2	230 - 400	
	497900	ED-PNC 13/12 S	13.0	3.4	120	1740	4.0	3.0	230 - 400	
	260300	ED-PKC 15/15 S	15.0	4.0	150	2175	5.5	4.1	230 - 400	
	970900	ED-BC 15/15 S	15.0	4.0	150	2175	5.5	4.1	230 - 400	
	970600	ED-BC 15/20 S	15.0	4.0	200	2900	7.5	5.6	230 - 400	
	264900	ED-BC 21/15 S	21.0	5.5	140	2030	7.5	5.6	230 - 400	
	970800	ED-CC 26/20 S	26.0	6.9	150	2175	10.0	7.5	230 - 400	
	264000	ED-CC 30/20 S	30.0	7.9	200	2900	15.0	11.2	400 - 690	
	971000	ED-CC 38/15 S	38.0	10.0	150	2175	15.0	11.2	400 - 690	
971100	ED-CKC 21/30 S	21.0	5.5	300	4350	15.0	11.2	400 - 690		

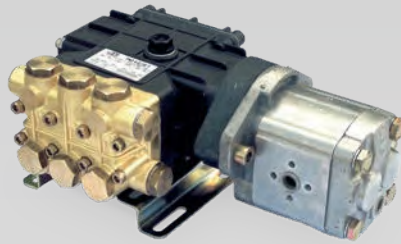


RPM	CODICE CODE	MODELLO MODEL	PORTATA FLOW		PRESSIONE PRESSURE		POTENZA POWER		VOLTAGGIO VOLTAGE	ACCOPIAMENTO COUPLING
			l/min	GPM	bar	PSI	HP	kW		
1450	264100	EF-CC 30/20 S	30.0	7.9	200	2900	15.0	11.2	400 - 690	FLANGIA + GIUNTO ELASTICO FLANGE + FLEXIBLE COUPLING
	970700	EF-CC 38/15 S	38.0	10.0	150	2175	15.0	11.2	400 - 690	
	971300	EF-CKC 17/36 S	17.0	4.5	350	5075	15.0	11.2	400 - 690	
	971200	EF-CKC 21/30 S	21.0	5.5	300	4350	15.0	11.2	400 - 690	
	971400	EF-CKC 21/36 S	21.0	5.5	350	5075	20.0	15.0	400 - 690	
	264300	EF-CHC 16/50 S	16.0	4.2	500	7250	20.0	15.0	400 - 690	



TIPI MOTORE MOTOR TYPE	CODICE CODE	MODELLO MODEL	PORTATA FLOW		PRESSIONE PRESSURE		POTENZA POWER		ACCOPIAMENTO COUPLING
			l/min	GPM	bar	PSI	HP	kW	
Honda	464800	MD-PNL 3.0/20 T	11.4	3.0	140	2030	5.5	4.1	DIRETTO DIRECT
Briggs & Stratton	464700	MD-PNL 3.0/20 T	11.4	3.0	140	2030	5.0	3.7	

TIPI MOTORE MOTOR TYPE	CODICE CODE	MODELLO MODEL	PORTATA FLOW		PRESSIONE PRESSURE		POTENZA POWER		ACCOPIAMENTO COUPLING
			l/min	GPM	bar	PSI	HP	kW	
Honda	473100	MR-BC 15/15 S	15.0	4.0	150	2175	8.0	6.0	ACCOPIAMENTO CON RIDUTTORE GEAR BOX COUPLING
Briggs & Stratton	473200	MR-BC 15/15 S	15.0	4.0	150	2175	9.0	6.8	
Honda	473300	MR-BC 15/20 S	15.0	4.0	200	2900	11.0	8.2	
Briggs & Stratton	473400	MR-BC 15/20 S	15.0	4.0	200	2900	11.0	8.2	
Briggs & Stratton	473500	MR-CC 26/20 S	26.0	6.9	200	2900	16.0	11.9	



RPM	CODICE CODE	MODELLO MODEL	PORTATA FLOW		PRESSIONE PRESSURE		POTENZA POWER		TIPO MOTORE IDRAULICO HYDRAULIC MOTOR TYPE	PRESSIONE MPIANTO OLIO OIL PRESSURE REQUIRED		CONSUMO OLIO OIL FLOW REQUIRED	
			l/min	GPM	bar	PSI	HP	kW		bar	PSI	l/min	GPM
1750	<b>780500</b>	<b>MI-PND 4.0/20 T</b>	15.0	4.0	140	2030	5.4	3.7	SAE "A" Gr.2-11.2	135	1960	19.6	5.2



RPM	CODICE CODE	MODELLO MODEL	PORTATA FLOW		PRESSIONE PRESSURE		POTENZA POWER		TIPO MOTORE IDRAULICO HYDRAULIC MOTOR TYPE	PRESSIONE MPIANTO OLIO OIL PRESSURE REQUIRED		CONSUMO OLIO OIL FLOW REQUIRED	
			l/min	GPM	bar	PSI	HP	kW		bar	PSI	l/min	GPM
1450	<b>785800</b>	<b>MI-BC 15/20 S</b>	15.0	4.0	200	2900	7.7	5.7	SAE "A" Gr.2-25.0	105	1520	38.3	10.1

Tutti i modelli di Pompe Serie B – MS – MWT – BK Possono essere forniti con Motore Idraulico, accoppiati tra loro mediante Flangia e Giunto.

All B – MS – MWT – BK Pump Models are available with Hydraulic Motor, coupled through Bell housing and Coupling.



RPM	CODICE CODE	MODELLO MODEL	PORTATA FLOW		PRESSIONE PRESSURE		POTENZA POWER		TIPO MOTORE IDRAULICO HYDRAULIC MOTOR TYPE	PRESSIONE MPIANTO OLIO OIL PRESSURE REQUIRED		CONSUMO OLIO OIL FLOW REQUIRED	
			l/min	GPM	bar	PSI	HP	kW		bar	PSI	l/min	GPM
1450	<b>785900</b>	<b>MI-CKC 21/30 S</b>	21.0	5.5	300	4350	15.1	11.3	SAE "B" Gr.3-51.0	115	1670	75.1	19.8

Tutti i modelli di Pompe Serie C – CS – CWT – CK – CX – CH Possono essere forniti con Motore Idraulico, accoppiati tra loro mediante Flangia e Giunto.

All C – CS – CWT – CK – CX – CH Pump Models are available with Hydraulic Motor, coupled through Bell housing and Coupling.



- RIDOTTORI  
*REDUCTION*
- VALVOLE  
*PRESSURE REGULATORS*
- ACCESSORI  
*ACCESSORIES*
- ACCOPPIAMENTI  
*MOUNTING OPTIONS*



## RIDUTTORI PER MOTORI A SCOPPIO

### GEAR REDUCTION BOXES FOR GASOLINE /DIESEL ENGINES



CODICE CODE	MODELLO MODEL	POMPE SERIE PUMP SERIES	POTENZA MAX MAX POWER		RAPPORTO RIDUZIONE REDUCTION RATIO	QUANTITÀ OLIO OIL QUANTITY	ALBERO MOTORE ENGINE SHAFT	
			HP	kW			mm	In.
5055E7	RP 123	PN - PS	6.0	4.5	2,3 : 1	0.22	19.05	3/4"
5037C1	SI 123	PK - PKWT	6.0	4.5	2,3 : 1	0.22	19.05	3/4"



CODICE CODE	MODELLO MODEL	POMPE SERIE PUMP SERIES	POTENZA MAX MAX POWER		RAPPORTO RIDUZIONE REDUCTION RATIO	QUANTITÀ OLIO OIL QUANTITY	ALBERO MOTORE ENGINE SHAFT	
			HP	kW			mm	In.
5056E8	RM 122/1"	B - MS - MWT - BK - C CS - CWT - CK - CWT	18.0	13.4	2,176 : 1	0.32	25.4	1"
5078E8	RM 122K/1"	B - MS - MWT - BK - C CS - CWT - CK - CX	22.0	16.4	2,176 : 1	0.32	25.4	1"
5066E8	RM 122K/1"1/8	B - MS - MWT - BK - C CS - CWT - CK - CX	22.0	16.4	2,176 : 1	0.32	28.6	1"1/8



CODICE CODE	MODELLO MODEL	POMPE SERIE PUMP SERIES	POTENZA MAX MAX POWER		RAPPORTO RIDUZIONE REDUCTION RATIO	QUANTITÀ OLIO OIL QUANTITY	ALBERO MOTORE ENGINE SHAFT	
			HP	kW			mm	In.
5118G8	RN 122 1"1/8 KH Kohler	NX	40.0	30	2,176 : 1	0.45	28.6	1"1/8
5115G8	RN 122 1"1/8 Briggs & Stratton / Honda	NX	40.0	30	2,176 : 1	0.45	28.6	1"1/8
5118G9	RN 122 1"7/16 KH Kohler	NX	40.0	30	2,176 : 1	0.45	36.5	1"7/16
5115G9	RN 122 1"7/16 Briggs & Stratton / Honda	NX	40.0	30	2,176 : 1	0.45	36.5	1"7/16



CODICE CODE	MODELLO MODEL	POMPE SERIE PUMP SERIES	POTENZA MAX MAX POWER		RAPPORTO RIDUZIONE REDUCTION RATIO	QUANTITÀ OLIO OIL QUANTITY	ALBERO MOTORE ENGINE SHAFT	
			HP	kW			mm	In.
5053E5	M164 - G62	GAMMA 62 TS GR	16.0	12	6,4 : 1	0.51	25.4	1"



CODICE CODE	MODELLO MODEL	POMPE SERIE PUMP SERIES	POTENZA MAX MAX POWER		RAPPORTO RIDUZIONE REDUCTION RATIO	QUANTITÀ OLIO OIL QUANTITY	ALBERO MOTORE ENGINE SHAFT	
			HP	kW			mm	In.
5117H2	RV 115-35	PENTA - VX - VH - VY	60.0	44.8	1,48 : 1	0.6	40.0	
5117H3	RV 118-35	PENTA - VX - VH - VY	60.0	44.8	1,82 : 1	0.6	40.0	
5117H4	RV 122-35	PENTA - VX - VH - VY	60.0	44.8	2,21 : 1	0.6	40.0	
5117H5	RV 115-40	VXX	75.0	56.0	1,48 : 1	0.6	40.0	
5117H6	RV 118-40	VXX	75.0	56.0	1,82 : 1	0.6	40.0	
5117H7	RV 122-40	VXX	75.0	56.0	2,21 : 1	0.6	40.0	

## MOLTIPLICATORI PER P.D.F. TRATTORE

### P.T.O. MULTIPLIER GEAR BOXES



CODICE CODE	MODELLO MODEL	POMPE SERIE PUMP SERIES	POTENZA MAX MAX POWER		RAPPORTO RIDUZIONE REDUCTION RATIO	QUANTITÀ OLIO OIL QUANTITY	TIPO DI ALBERO P.D.F. P.T.O. SHAFT TYPE
			HP	kW			
5102G2	MTP 125	C - CS - CW - CK - CX - CH	27.0	20.0	1:2,5	0.35	Scanalato / Splined 1"3/8 SAE A DIN 9611A

CODICE CODE	MODELLO MODEL	POMPE SERIE PUMP SERIES	POTENZA MAX MAX POWER		ALBERO MOTORE ENGINE SHAFT		DESCRIZIONE DESCRIPTION
			HP	kW	mm	In.	
063228	J15-24x28	B - MS - MWT - BK - C - CS CWT - CK - CX - CH	15	11	28	1.102"	Giunto Elastico 15HP 24x28 <i>Flexible Coupling 15HP 24x28</i>
063229	J15-24x1"1/8	C - CS - CWT - CK - CX - CH	15	11	28.6	1"1/8	Giunto Elastico 15HP 24x1"1/8 <i>Flexible Coupling 15HP 24x1"1/8</i>
063230	J15-24x1"3/8	C - CS - CWT - CK - CX - CH	15	11	34.9	1"3/8	Giunto Elastico 15HP 24x1"3/8 <i>Flexible Coupling 15HP 24x1"3/8</i>
063227	J15-24x38	C - CS - CWT - CK - CX - CH	15	11	38	1.496"	Giunto Elastico 15HP 24x38 <i>Flexible Coupling 15HP 24x38</i>
063232	J15-24x42	C - CS - CWT - CK - CX - CH	15	11	42	1.653"	Giunto Elastico 15HP 24x42 <i>Flexible Coupling 15HP 24x42</i>
063233	J20-24x42	C - CS - CWT - CK - CX - CH	20	15	42	1.653"	Giunto Elastico 20HP 24x42 <i>Flexible Coupling 20HP 24x42</i>
063238	J20-35x42	NX	20	15	42	1.653"	Giunto Elastico 20HP 35x42 <i>Flexible Coupling 20HP 35x42</i>
063236	J25-24x48	C - CS - CWT - CK - CX - CH	25	18.5	48	1.890"	Giunto Elastico 25HP 24x48 <i>Flexible Coupling 25HP 24x48</i>
063245	J40-35x48	NX - PENTA - VX - VY	40	30	48	1.890"	Giunto Elastico 40HP 35x48 <i>Flexible Coupling 40HP 35x48</i>
063235	J40-35x55	PENTA - VX - VY	40	30	55	2.165"	Giunto Elastico 40HP 35x55 <i>Flexible Coupling 40HP 35x55</i>
063247	J40-35x55-1450	PENTA - VX - VH - VY	50	37	55	2.165"	Giunto Elastico 50HP 35x55 <i>Flexible Coupling 50HP 35x55</i>

CODICE CODE	MODELLO MODEL	POMPE SERIE PUMP SERIES	POTENZA MAX MAX POWER		ALBERO MOTORE ENGINE SHAFT		DESCRIZIONE DESCRIPTION
			HP	kW	mm	In.	
870210		PN - PS - PK - PKWT					Kit Piedi Pompa <i>Pump Rail Kit</i>
870210		B - MS - MWT - BK					Kit Piedi Pompa <i>Pump Rail Kit</i>
870208		C - CS - CWT CK - CX - CH					Kit Piedi Pompa <i>Pump Rail Kit</i>
6063H7							Albero Adattatore P.D.F. 1"3/8 - Foro 24 mm <i>1"3/8 Shaft Splined Adaptor - Hole 24 mm</i>
Chiedere Informazioni Ask Info							Pulegge <i>Pulleys</i>

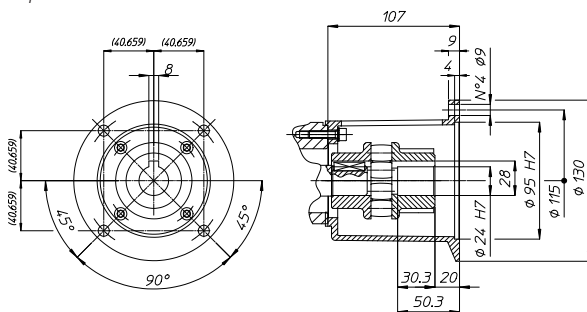
## ACCOPIAMENTI DISPONIBILI PER MOTORI ELETTRICI MOUNTING OPTIONS FOR ELECTRIC MOTORS

CODICE CODE	MODELLO MODEL	POMPE SERIE PUMP SERIES	POTENZA MAX MAX POWER		ALBERO MOTORE ENGINE SHAFT		DESCRIZIONE DESCRIPTION
			HP	kW	mm	In.	
052027	P04	PN - PS	1.5 ÷ 3	1.1 ÷ 2.2	24	0,944"	Flangiatura per Motori Elettrici B3/B14 Gr.90 Flange for B3/B14 Electric Motor Gr.90
052005	P05	PN - PS	3 ÷ 5.5	2.2 ÷ 4	28	1.102"	Flangiatura per Motori Elettrici B3/B14 Gr.100/112 Flange for B3/B14 Electric Motor Gr.100/112
052032	PK08	PK - PKWT	3 ÷ 5.5	2.2 ÷ 4	28	1.102"	Flangiatura per Motori Elettrici B3/B14 Gr.100/112 Flange for B3/B14 Electric Motor Gr.100/112
052009	MG04	B - MS - MWT - BK - C - CS CWT - CK - CX - CH	3 ÷ 7.5	2.2 ÷ 5.5	28	1.102"	Flangiatura per Motori Elettrici B3/B14 Gr.100/112 Flange for B3/B14 Electric Motor Gr.100/112
052010	MG05	B - MS - MWT - BK - C - CS CWT - CK - CX - CH	2 ÷ 7.5	1.5 ÷ 5.5	28.6	1"1/8	Flangiatura per Motori Elettrici NEMA 182T/184T Flange for Electric Motor NEMA 182T/184T
052021	MG10	B - MS - MWT - BK - C - CS CWT - CK	7.5 ÷ 15	5.5 ÷ 11	38	1.496"	Flangiatura per Motori Elettrici B3/B14 Gr.132 Flange for B3/B14 Electric Motor Gr.132
052039	NX02	NX	15 ÷ 25	11 ÷ 18	42	1.653"	Flangiatura per Motori Elettrici B3/B5 Gr.160 Flange for B3/B5 Electric Motor Gr.160
052038	NX01	NX - NXS	20 ÷ 30	15 ÷ 22	48	1.890"	Flangiatura per Motori Elettrici B3/B5 Gr.180 Flange for B3/B5 Electric Motor Gr.180
052036	VX01	PENTA - VX - VY	1000 / 1200 RPM		48	1.890"	Flangiatura per Motori Elettrici B3/B5 Gr.180 Flange for B3/B5 Electric Motor Gr.180
			20	15			
			1450 / 1750 RPM		48	1.890"	Flangiatura per Motori Elettrici B3/B5 Gr.180 Flange for B3/B5 Electric Motor Gr.180
052037	VX02	PENTA - VX - VXS - VH - VY	1000 / 1200 RPM		55	2.165"	Flangiatura per Motori Elettrici B3/B5 Gr.200 Flange for B3/B5 Electric Motor Gr.200
			25 ÷ 30	18.5 ÷ 22			
			1450 / 1750 RPM		55	2.165"	Flangiatura per Motori Elettrici B3/B5 Gr.200 Flange for B3/B5 Electric Motor Gr.200
			40 ÷ 50	30 ÷ 37			

### P04 MOTORE ELETTRICO B3/B14 Gr.90 ELECTRIC MOTOR B3/B14 Gr.90

Pompe serie PN-PS

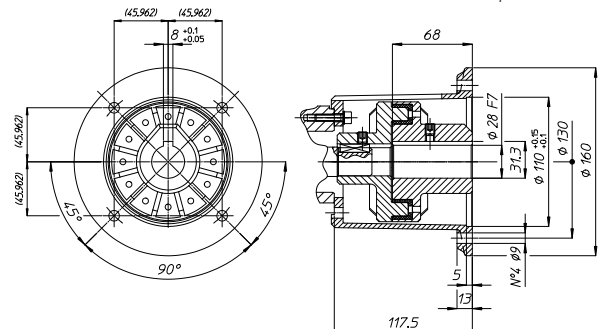
Pump series PN-PS



### MOTORE ELETTRICO B3/B14 Gr.100/112 P05 ELECTRIC MOTOR B3/B14 Gr.100/112

Pompe serie PN-PS

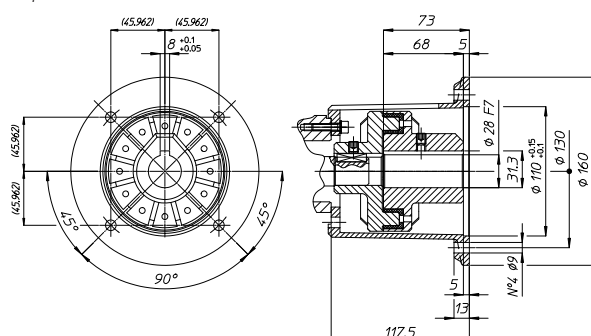
Pump series PN-PS



### PK08 MOTORE ELETTRICO B3/B14 Gr.100/112 ELECTRIC MOTOR B3/B14 Gr.100/112

Pompe serie PK-PKWT

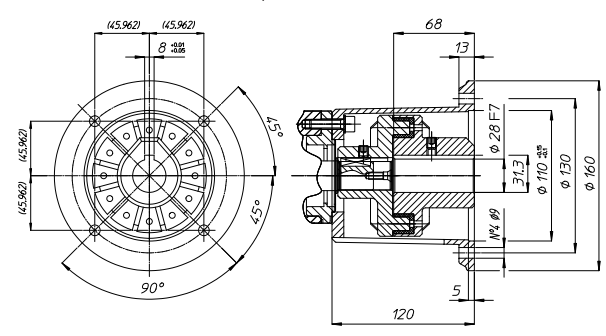
Pump series PK-PKWT



### MOTORE ELETTRICO B3/B14 Gr.100/112 MG04 ELECTRIC MOTOR B3/B14 Gr.100/112

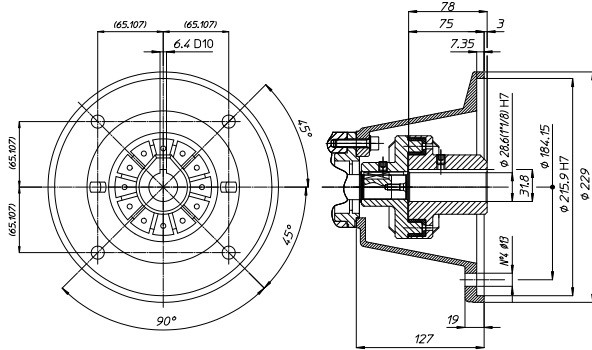
Pompe serie B-MS-MWT-BK-C-CS-CWT-CK-CX-CH

Pump series B-MS-MWT-BK-C-CS-CWT-CK-CX-CH



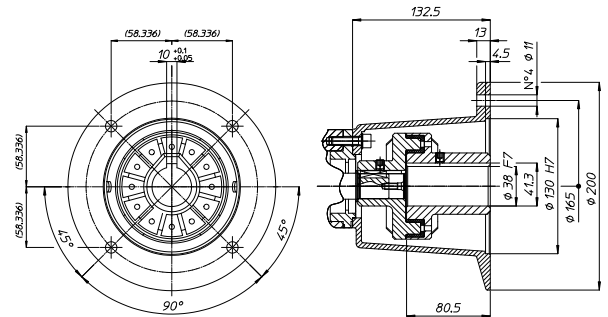
## MG05 MOTORE ELETTRICO NEMA 182T/184T ELECTRIC MOTOR NEMA 182T/184T

Pompe serie B-MS-MWT-BK-C-CS-CWT-CK-CX-CH  
Pump series B-MS-MWT-BK-C-CS-CWT-CK-CX-CH



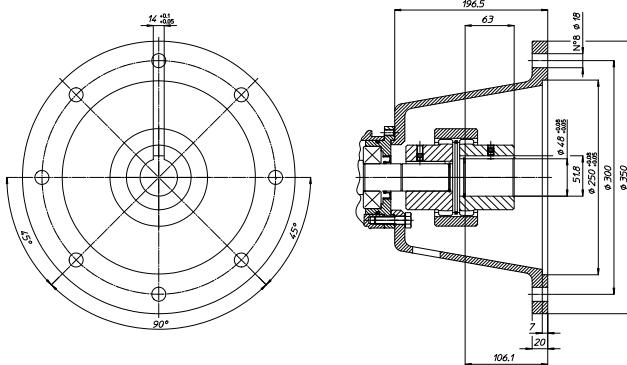
## MOTORE ELETTRICO B3/B14 Gr.132 MG10 ELECTRIC MOTOR B3/B14 Gr.132

Pompe serie B-MS-MWT-BK-C-CS-CWT-CK  
Pump series B-MS-MWT-BK-C-CS-CWT-CK



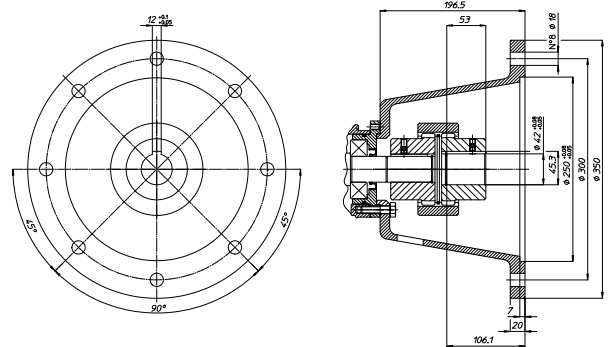
## NX01 MOTORE ELETTRICO B3/B5 Gr. 180 ELECTRIC MOTOR B3/B5 Gr. 180

Pompe serie NX - NXS  
Pump series NX - NXS



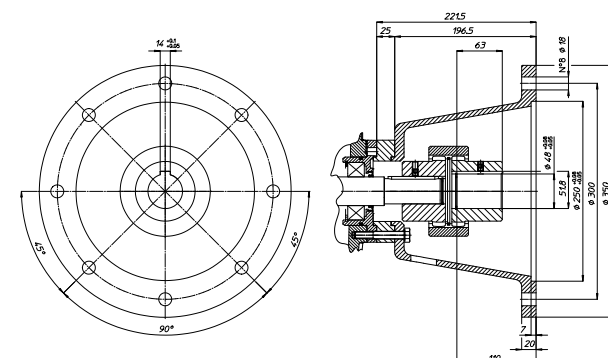
## MOTORE ELETTRICO B3/B5 Gr.160 NX02 ELECTRIC MOTOR B3/B5 Gr.160

Pompe serie NX  
Pump series NX



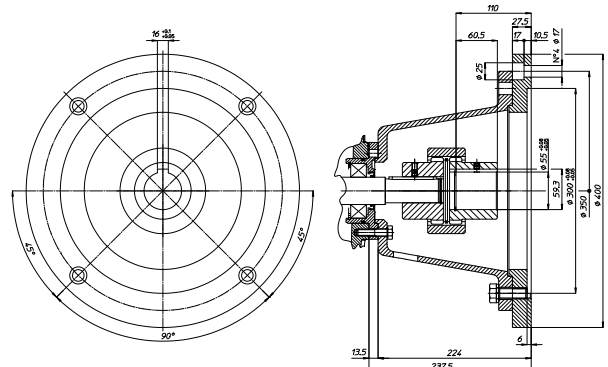
## VX01 MOTORE ELETTRICO B3/B5 Gr. 180 ELECTRIC MOTOR B3/B5 Gr. 180

Pompe serie PENTA-VX-VY  
Pump series PENTA-VX-VY



## MOTORE ELETTRICO B3/B5 Gr. 200 VX02 ELECTRIC MOTOR B3/B5 Gr. 200

Pompe serie PENTA-VX-VXS-VH-VY  
Pump series PENTA-VX-VXS-VH-VY





**ACCOPIAMENTI DISPONIBILI PER MOTORI IDRAULICI**  
**MOUNTING OPTIONS FOR HYDRAULIC MOTORS**

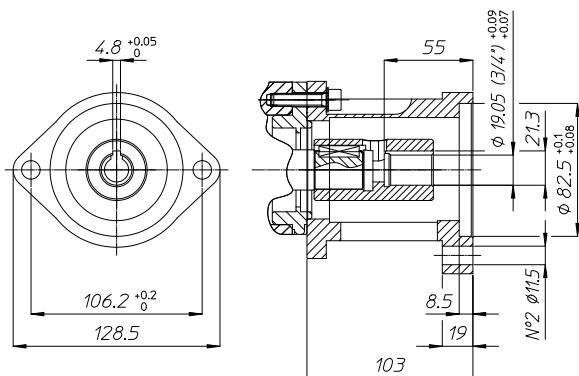
CODICE CODE	MODELLO MODEL	POMPE SERIE PUMP SERIES	POTENZA MAX MAX POWER		ALBERO MOTORE ENGINE SHAFT		DESCRIZIONE DESCRIPTION
			HP	kW	mm	In.	
418200	MI03	MS - MWT	0 ÷ 10	0 ÷ 7.5	19.05	3/4"	Flangiatura SAE "A" per Motori Idraulici Gr.2 Flange SAE "A" for Hydraulic Motor Gr.2
419300	GI04	B - BK - C - CS - CWT - CK - CX - CH	0 ÷ 10	0 ÷ 7.5	19.05	3/4"	Flangiatura SAE "A" per Motori Idraulici Gr.2 Flange SAE "A" for Hydraulic Motor Gr.2
418300	GI03	C - CS - CWT - CK - CX - CH	10 ÷ 26.8	7.5 ÷ 20	25.4	1"	Flangiatura SAE "B" per Motori Idraulici Gr.3 Flange SAE "B" for Hydraulic Motor Gr.3
419100	GMI01	GAMMA 62 GAMMA 85/105/125	0 ÷ 16	0 ÷ 12	25.4	1"	Flangiatura SAE "A" per Motori Idraulici Orbitali Flange SAE "A" for Hydraulic Orbital Motor
416700	GMI02	GAMMA 62 GAMMA 85/105/125	0 ÷ 16	0 ÷ 12	25	0.984"	Flangiatura SAE "A" per Motori Idraulici Orbitali Flange SAE "A" for Hydraulic Orbital Motor
419800	GMI03	GAMMA 125/155 GAMMA 162/202/242	0 ÷ 40	0 ÷ 30	40	1.574"	Flangiatura SAE "A" per Motori Idraulici Orbitali Flange SAE "A" for Hydraulic Orbital Motor
419200	PTI01	PENTA	0 ÷ 40	0 ÷ 30	Scanalato 1"3/8 DIN 5462		Flangiatura per Motori Idraulici a Pistoni Flange for Hydraulic Piston Motor
420900	VXI01	NX - NXS - VX - VXS - VH - VY - PENTA	0 ÷ 50	0 ÷ 37	31.75	1"1/4	Flangiatura per Motori Idraulici SAE J744-C Flange for Hydraulic Motor SAE J744-C

## MI03 MOTORE IDRAULICO SAE "A" Gr. 2

### HYDRAULIC MOTOR SAE "A" Gr. 2

Pompe serie MS-MWT

Pump series MS-MWT

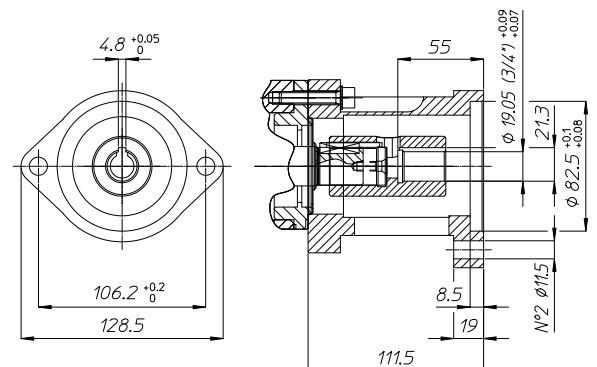


## MOTORE IDRAULICO SAE "A" Gr. 2 GI04

### HYDRAULIC MOTOR SAE "A" Gr. 2

Pompe serie B-BK-C-CS-CWT-CK-CX-CH

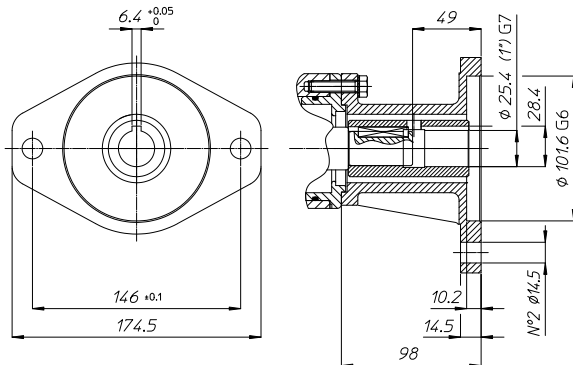
Pump series B-BK-C-CS-CWT-CK-CX-CH



## GI03 MOTORE IDRAULICO SAE "B" Gr.3 HYDRAULIC MOTOR SAE "B" Gr.3

Pompe serie C-CS-CWT-CK-CX-CH

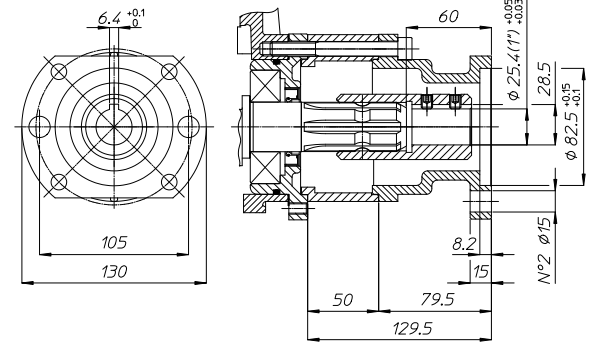
Pump series C-CS-CWT-CK-CX-CH



## MOTORE IDRAULICO ORBITALE SAE "A" GMIO1 HYDRAULIC ORBITAL MOTOR SAE "A" GMIO1

Pompe serie GAMMA62-GAMMA85/105/125

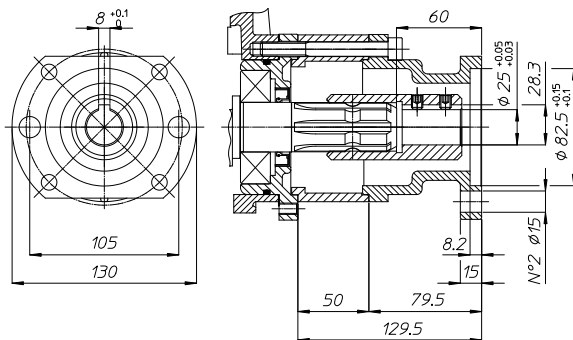
Pump series GAMMA62-GAMMA85/105/125



## GMIO2 MOTORE IDRAULICO ORBITALE SAE "A" HYDRAULIC ORBITAL MOTOR SAE "A"

Pompe serie GAMMA62-GAMMA85/105/125

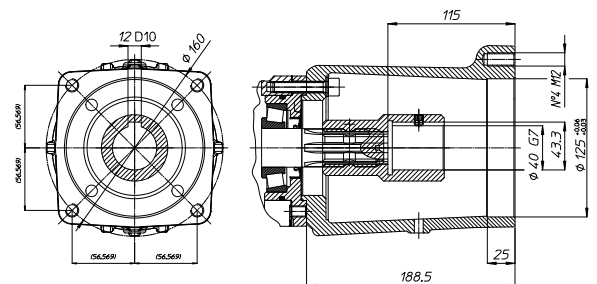
Pump series GAMMA62-GAMMA85/105/125



## MOTORE IDRAULICO ORBITALE SAE "A" GMIO3 HYDRAULIC ORBITAL MOTOR SAE "A" GMIO3

Pompe serie GAMMA125/155-GAMMA162/202/242

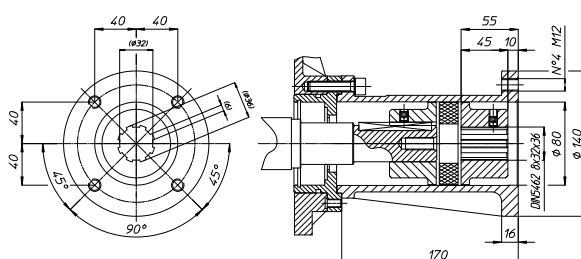
Pompe serie GAMMA125/155-GAMMA162/202/242



## PTIO1 MOTORE IDRAULICO A PISTONI HYDRAULIC PISTON MOTOR

Pompe serie PENTA

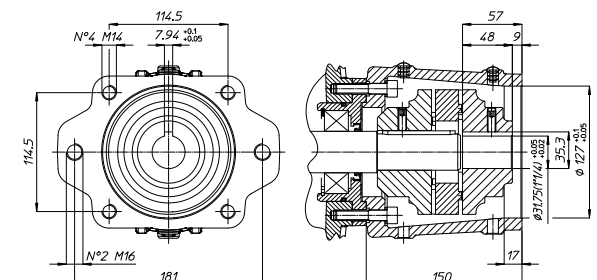
Pump series PENTA



## MOTORE IDRAULICO SAE J744-C VXI01 HYDRAULIC MOTOR SAE J744-C VXI01

Pompe serie NX-NXS-VX-VS-VH-VY-PENTA

Pump series NX-VX-VH-VY-PENTA



CODICE CODE	MODELLO MODEL	PORTATA FLOW		PRESSIONE PRESSURE		DESCRIZIONE DESCRIPTION				
		l/min	GPM	bar	PSI					
063666	UB 17	25.0	6.6	220	3190	Valvola Regolazione con By-Pass Integrato <i>Unloader Valve with Built-In By-Pass</i>				
						POMPE SERIE PUMP SERIES	PN - PS	ATTACCHI CONNECTIONS	ENTRATA / INLET	G 1/2 F
								USCITA / OUTLET	G 3/8 M	
	BY-PASS	Interno / Internal								
063667	UBI 17	25.0	6.6	220	3190	Valvola Regolazione con By-Pass Integrato e Iniettore <i>Unloader Valve with Built-In By-Pass with Injector</i>				
						POMPE SERIE PUMP SERIES	PN - PS	ATTACCHI CONNECTIONS	ENTRATA / INLET	G 1/2 F
								USCITA / OUTLET	G 3/8 M	
	BY-PASS	Interno / Internal								
063647	UB 20	25.0	6.6	220	3190	Valvola Regolazione con By-Pass Integrato <i>Unloader Valve with Built-In By-Pass</i>				
						POMPE SERIE PUMP SERIES	PK - PKWT	ATTACCHI CONNECTIONS	ENTRATA / INLET	G 1/2 F
								USCITA / OUTLET	G 3/8 M	
	BY-PASS	Interno / Internal								
063648	UBI 20	25.0	6.6	220	3190	Valvola Regolazione con By-Pass Integrato e Iniettore <i>Unloader Valve with Built-In By-Pass with Injector</i>				
						POMPE SERIE PUMP SERIES	PK - PKWT	ATTACCHI CONNECTIONS	ENTRATA / INLET	G 1/2 F
								USCITA / OUTLET	G 3/8 M	
	BY-PASS	Interno / Internal								
063604	UB 22	30.0	7.9	220	3190	Valvola Regolazione con By-Pass Integrato <i>Unloader Valve with Built-In By-Pass</i>				
						POMPE SERIE PUMP SERIES	MS - MWT	ATTACCHI CONNECTIONS	ENTRATA / INLET	G 1/2 F
								USCITA / OUTLET	G 3/8 F	
	BY-PASS	Interno / Internal								
063608	UBI 22	30.0	7.9	220	3190	Valvola Regolazione con By-Pass Integrato e Iniettore <i>Unloader Valve with Built-In By-Pass with Injector</i>				
						POMPE SERIE PUMP SERIES	MS - MWT	ATTACCHI CONNECTIONS	ENTRATA / INLET	G 1/2 F
								USCITA / OUTLET	G 3/8 M	
	BY-PASS	Interno / Internal								
063681	UB 23	30.0	7.9	220	3190	Valvola Regolazione con By-Pass Integrato <i>Unloader Valve with Built-In By-Pass</i>				
						POMPE SERIE PUMP SERIES	B	ATTACCHI CONNECTIONS	ENTRATA / INLET	G 1/2 F
								USCITA / OUTLET	G 3/8 F	
	BY-PASS	Interno / Internal								
063685	UBI 23	30.0	7.9	220	3190	Valvola Regolazione con By-Passe Integrato Iniettore <i>Unloader Valve with Built-In By-Pass with Injector</i>				
						POMPE SERIE PUMP SERIES	B	ATTACCHI CONNECTIONS	ENTRATA / INLET	G 1/2 F
								USCITA / OUTLET	G 3/8 M	
	BY-PASS	Interno / Internal								
063687	UB 23K	30.0	7.9	280	4060	Valvola Regolazione con By-Passe Integrato <i>Unloader Valve with Built-In By-Pass</i>				
						POMPE SERIE PUMP SERIES	BK	ATTACCHI CONNECTIONS	ENTRATA / INLET	G 1/2 F
								USCITA / OUTLET	G 3/8 F	
	BY-PASS	Interno / Internal								



CODICE CODE	MODELLO MODEL	PORTATA FLOW		PRESSIONE PRESSURE		DESCRIZIONE DESCRIPTION
		l/min	GPM	bar	PSI	
063605	U 251	40.0	10.5	250	3625	Valvola Regolazione con By-Pass Automatic Unloader Valve
POMPE SERIE PUMP SERIES		<b>B - MS - MWT - C CS - CWT - CK</b>		ATTACCHI CONNECTIONS		ENTRATA / INLET G 3/8 F USCITA / OUTLET G 3/8 F BY-PASS G 3/8 F



063616	U 301	40.0	10.5	300	4350	Valvola Regolazione con By-Pass Automatic Unloader Valve
POMPE SERIE PUMP SERIES		<b>BK - CK</b>		ATTACCHI CONNECTIONS		ENTRATA / INLET G 3/8 F USCITA / OUTLET G 3/8 F BY-PASS G 3/8 F



063629	U 351	40.0	10.5	350	5075	Valvola Regolazione con By-Pass Automatic Unloader Valve
POMPE SERIE PUMP SERIES		<b>CK - NX</b>		ATTACCHI CONNECTIONS		ENTRATA / INLET G 3/8 M USCITA / OUTLET G 3/8 F BY-PASS G 1/2 F



063645	U 502	80.0	21.0	500	7250	Valvola Regolazione con By-Pass Automatic Unloader Valve
POMPE SERIE PUMP SERIES		<b>CH - CX PENTA - VH</b>		ATTACCHI CONNECTIONS		ENTRATA / INLET G 1/2 F USCITA / OUTLET G 1/2 F BY-PASS G 1/2 F



063660	UZ 600	60.0	15.9	600	8700	Valvola Regolazione con By-Pass e Azzeramento Pressione Automatic Unloader Valve with Shut off Pressure
POMPE SERIE PUMP SERIES		<b>CH - CX - PENTA</b>		ATTACCHI CONNECTIONS		ENTRATA / INLET G 1/2 F USCITA / OUTLET G 1/2 F BY-PASS G 3/8 F



063679	UZ 1000	40.0	10.5	1000	14500	Valvola Regolazione con By-Pass e Azzeramento Pressione Automatic Unloader Valve with Shut off Pressure
POMPE SERIE PUMP SERIES		<b>VY</b>		ATTACCHI CONNECTIONS		ENTRATA / INLET G 3/8 F USCITA / OUTLET G 3/8 F BY-PASS G 3/8 F



063654	U 40/16	40.0	10.5	160	2320	Valvola Regolazione con By-Pass Automatic Unloader Valve
POMPE SERIE PUMP SERIES		<b>C - CS - CWT</b>		ATTACCHI CONNECTIONS		ENTRATA / INLET G 3/8 F USCITA / OUTLET G 3/8 F BY-PASS G 3/8 F



063656	U 85/16	80.0	21.0	160	2320	Valvola Regolazione con By-Pass Automatic Unloader Valve
POMPE SERIE PUMP SERIES		<b>C - CK - CS - CWT CX - GAMMA-IL NX - PENTA</b>		ATTACCHI CONNECTIONS		ENTRATA / INLET G 1/2 F USCITA / OUTLET G 1/2 F BY-PASS G 1/2 F



063655	U 85/28	80.0	21.0	300	4350	Valvola Regolazione con By-Pass Automatic Unloader Valve
POMPE SERIE PUMP SERIES		<b>C - CK - CS - CWT CX - GAMMA-IL NX - PENTA</b>		ATTACCHI CONNECTIONS		ENTRATA / INLET G 1/2 F USCITA / OUTLET G 1/2 F BY-PASS G 1/2 F



CODICE CODE	MODELLO MODEL	PORTATA FLOW		PRESSIONE PRESSURE		DESCRIZIONE DESCRIPTION
		l/min	GPM	bar	PSI	
<b>063672</b>	<b>U 140/16</b>	140.0	37.0	160	2320	Valvola Regolazione con By-Pass <i>Automatic Unloader Valve</i>
POMPE SERIE <i>PUMP SERIES</i>		<b>NX - NXS - VX - NXS</b>		ATTACCHI CONNECTIONS		ENTRATA / INLET G 3/4 F USCITA / OUTLET G 3/4 F BY-PASS G 3/4 F



<b>600547</b>	<b>U 200/15</b>	200.0	53.0	150	2175	Valvola Regolazione con By-Pass <i>Automatic Unloader Valve</i>
POMPE SERIE <i>PUMP SERIES</i>		<b>GAMMA-IL - PENTA - VX - VXS - VXX</b>		ATTACCHI CONNECTIONS		ENTRATA / INLET G 1" F USCITA / OUTLET G 1" F BY-PASS G 1" F



<b>063652</b>	<b>U 200/28</b>	200.0	53.0	280	4060	Valvola Regolazione con By-Pass <i>Automatic Unloader Valve</i>
POMPE SERIE <i>PUMP SERIES</i>		<b>VX - VXX</b>		ATTACCHI CONNECTIONS		ENTRATA / INLET G 1" F USCITA / OUTLET G 1" F BY-PASS G 1" F



<b>063690</b>	<b>U 450/20</b>	450.0	119.0	200	2900	Valvola Regolazione con By-Pass - Bassa Pressione <i>Automatic Unloader Valve - Low Pressure</i>
POMPE SERIE <i>PUMP SERIES</i>		<b>HX</b>		ATTACCHI CONNECTIONS		ENTRATA / INLET G 1"1/4 F USCITA / OUTLET G 1"1/4 F BY-PASS G 1"1/2 F



<b>063689</b>	<b>U 450/30</b>	450.0	119.0	300	4350	Valvola Regolazione con By-Pass - Bassa Pressione <i>Automatic Unloader Valve - Low Pressure</i>
POMPE SERIE <i>PUMP SERIES</i>		<b>HX</b>		ATTACCHI CONNECTIONS		ENTRATA / INLET G 1"1/4 F USCITA / OUTLET G 1"1/4 F BY-PASS G 1"1/2 F



<b>063691</b>	<b>VR 450/20</b>	450.0	119.0	200	2900	Valvola Regolazione con By-Pass <i>Automatic Unloader Valve</i>
POMPE SERIE <i>PUMP SERIES</i>		<b>HX</b>		ATTACCHI CONNECTIONS		ENTRATA / INLET G 1"1/4 F USCITA / OUTLET G 1"1/4 F BY-PASS G 1"1/2 F



<b>063692</b>	<b>VR 450/30</b>	450.0	119.0	300	4350	Valvola Regolazione con By-Pass <i>Automatic Unloader Valve</i>
POMPE SERIE <i>PUMP SERIES</i>		<b>HX</b>		ATTACCHI CONNECTIONS		ENTRATA / INLET G 1"1/4 F USCITA / OUTLET G 1"1/4 F BY-PASS G 1"1/2 F



<b>600531</b>	<b>VRG 100</b>	100.0	26.4	50	725	Valvola Regolazione con Leva di Azzeramento Pressione <i>Control Unit with Shut Off Pressure Lever</i>
POMPE SERIE <i>PUMP SERIES</i>		<b>GAMMA 62</b>		ATTACCHI CONNECTIONS		ENTRATA / INLET G 3/4 M USCITA / OUTLET Ø 20 BY-PASS



<b>600518</b>	<b>VRG 150</b>	150.0	40.0	80	1160	Valvola Regolazione con Leva di Azzeramento Pressione <i>Control Unit with Shut Off Pressure Lever</i>
POMPE SERIE <i>PUMP SERIES</i>		<b>GAMMA GAMMA-IL</b>		ATTACCHI CONNECTIONS		ENTRATA / INLET G 3/4 M USCITA / OUTLET Ø 25 BY-PASS



<b>600514</b>	<b>VRG 250</b>	250.0	66.0	80	1160	Valvola Regolazione con Leva di Azzeramento Pressione <i>Control Unit with Shut Off Pressure Lever</i>
POMPE SERIE <i>PUMP SERIES</i>		<b>GAMMA GAMMA-IL</b>		ATTACCHI CONNECTIONS		ENTRATA / INLET G 3/4 M USCITA / OUTLET Ø 36 BY-PASS



CODICE CODE	MODELLO MODEL	PORTATA FLOW		PRESSIONE PRESSURE		DESCRIZIONE DESCRIPTION	
		l/min	GPM	bar	PSI		
<b>063702</b>	<b>SV 220-24</b>	24.0	6.4	220	3190	Valvola di Massima Pressione Safety Valve	
POMPE SERIE PUMP SERIES		<b>PN - PS PK - PKWT - B MS - MWT</b>		ATTACCHI CONNECTIONS		ENTRATA / INLET	G 3/8 F
						USCITA / OUTLET	
						BY-PASS	G 3/8 F



<b>181403</b>	<b>SV 220-30</b>	30.0	8.0	220	3190	Valvola di Massima Pressione Safety Valve	
POMPE SERIE PUMP SERIES		<b>B - MS - MWT - C CS - CWT</b>		ATTACCHI CONNECTIONS		ENTRATA / INLET	G 3/8 F
						USCITA / OUTLET	
						BY-PASS	G 3/8 F



<b>181404</b>	<b>SV 350-25</b>	25.0	6.6	350	5075	Valvola di Massima Pressione Safety Valve	
POMPE SERIE PUMP SERIES		<b>BK - CK</b>		ATTACCHI CONNECTIONS		ENTRATA / INLET	G 3/8 F
						USCITA / OUTLET	
						BY-PASS	G 3/8 F



<b>063715</b>	<b>SV 500-80</b>	80.0	21.0	500	7250	Valvola di Massima Pressione Safety Valve	
POMPE SERIE PUMP SERIES		<b>CK - CH - NX - VX - VH - PENTA</b>		ATTACCHI CONNECTIONS		ENTRATA / INLET	G 1/2 F
						USCITA / OUTLET	
						BY-PASS	G 3/8 F



<b>600532</b>	<b>SV 180-200</b>	200.0	53.0	180	2610	Valvola di Massima Pressione Safety Valve	
POMPE SERIE PUMP SERIES		<b>C - CK - CX - NX - NXS - GAMMA-IL - VX - VXS - PENTA - VXX</b>		ATTACCHI CONNECTIONS		ENTRATA / INLET	G 3/4 F
						USCITA / OUTLET	
						BY-PASS	G 1/2 F



<b>063720</b>	<b>SV 300-450</b>	450.0	119.0	300	4350	Valvola di Massima Pressione Safety Valve	
POMPE SERIE PUMP SERIES		<b>HX</b>		ATTACCHI CONNECTIONS		ENTRATA / INLET	G 1"1/4 F
						USCITA / OUTLET	
						BY-PASS	G 1"1/4 F













<b>063721</b>	<b>SV 800-40</b>	40.0	10.5	800	11600	Valvola di Massima Pressione Safety Valve	
POMPE SERIE PUMP SERIES		<b>VY</b>		ATTACCHI CONNECTIONS		ENTRATA / INLET	G 1/2 M
						USCITA / OUTLET	
						BY-PASS	G 3/8 F



<b>063663</b>	<b>SV 1000-40</b>	40.0	10.5	1000	11600	Valvola di Massima Pressione Safety Valve	
POMPE SERIE PUMP SERIES		<b>VY</b>		ATTACCHI CONNECTIONS		ENTRATA / INLET	G 1/2 M
						USCITA / OUTLET	
						BY-PASS	G 3/8 F



<b>063719</b>	<b>V 1250-40</b>	40.0	10.5	1250	18130	Valvola di Massima Pressione Safety Valve	
POMPE SERIE PUMP SERIES		<b>VY</b>		ATTACCHI CONNECTIONS		ENTRATA / INLET	G 1/2 M
						USCITA / OUTLET	
						BY-PASS	G 3/8 F

	CODICE CODE	MODELLO MODEL	PORTATA FLOW		PRESSIONE PRESSURE		ENTRATA INLET	USCITA OUTLET	DESCRIZIONE DESCRIPTION
			l/min	GPM	bar	PSI			
	121509	KID 280/30	30.0	8.0	280	4060	G 3/8 F	G 1/4 F	Pistola Gun
	121510	GL 280/40	40.0	10.5	280	4060	G 3/8 F	G 1/4 F	Pistola Gun
	121530	GL 250/50	50.0	13.2	250	3625	G 3/8 F	G 1/4 F	Pistola Gun
	121525	GL 350/30	30.0	8.0	350	5075	G 3/8 F	G 1/4 F	Pistola Gun
	121526	GL 400/40	40.0	10.5	400	5800	G 3/8 F	G 1/4 F	Pistola Gun
	121515	GL 120/120	120.0	32.0	120	1740	G 1/2 F	G 1/2 F	Pistola Gun
	121538	GL 200/200	200.0	52.8	200	2900	G 3/4 F	G 1/2 F	Pistola Gun
	1240E1	GL 500/80	80.0	21.0	500	7250	G 1/2 F	G 1/2 F	Pistola Gun
	121550	G 1000	40.0	10.5	1000	14500	G 3/8 F	1/4 NPT	Pistola con Lancia Completa Complete Gun with Lance
	121551	DG 1250	40.0	10.5	1250	18130	G 1/2 M	G 1/2 spec	Pistola con Lancia a Scarico Libero Dump Gun



CODICE CODE	PRESSIONE PRESSURE		DESCRIZIONE DESCRIPTION
	bar	PSI	
<b>Chiedere Informazioni</b> <i>Ask Info</i>	Max 1000 <i>Max 1000</i>	Max 14500 <i>Max 14500</i>	Lance fino a 1000 bar (14500 PSI) <i>Lances up to 1000 bar (14500 PSI)</i>



<b>Chiedere Informazioni</b> <i>Ask Info</i>	Max 1600 <i>Max 1600</i>	Max 23200 <i>Max 23200</i>	Manometri fino a 1600bar (23200 PSI) <i>Gauges up to 1600 bar (23200 PSI)</i>
---	-----------------------------	-------------------------------	--



<b>Chiedere Informazioni</b> <i>Ask Info</i>	Max 1250 <i>Max 1250</i>	Max 18130 <i>Max 18130</i>	Ugelli fino a 1250 bar (18130 PSI) <i>Gauges up to 1250 bar (18130 PSI)</i>
---	-----------------------------	-------------------------------	--



<b>Chiedere Informazioni</b> <i>Ask Info</i>			Tappi Manometro per Pompa <i>Head Plugs for Gauge</i>
---	--	--	--



<b>Chiedere Informazioni</b> <i>Ask Info</i>	Max 225 <i>Max 225</i>	Max 3260 <i>Max 3260</i>	Tubi Alta Pressione fino a 225 bar (3260 PSI) Completati di Raccordi <i>High Pressure Hoses up to 225 bar (3260 PSI) with Fittings</i>
---	---------------------------	-----------------------------	--



<b>Chiedere Informazioni</b> <i>Ask Info</i>	Max 300 <i>Max 300</i>	Max 4350 <i>Max 4350</i>	Accumulatori Antipulsazioni fino a 300 bar (4350 PSI) <i>Pulsation Dampeners up to 300 bar (4350 PSI)</i>
---	---------------------------	-----------------------------	--



<b>Chiedere Informazioni</b> <i>Ask Info</i>			Accessori VY <i>VY Accesories</i>
---	--	--	--------------------------------------



<b>Chiedere Informazioni</b> <i>Ask Info</i>			Kit Attrezzi Montaggio e Smontaggio Tenute <i>Assembly / Disassembly tool Kit for Sealing</i>
---	--	--	--



## TABELLA DI SCELTA UGELLI NOZZLES SELECTION CHART

		PRESSIONE / PRESSURE (bar - PSI)																		
TIPO TYPE	bar	20	30	40	50	60	70	80	90	100	110	120	130	140	150	160	170	180	190	200
	PSI	290	435	580	725	870	1015	1160	1305	1450	1595	1740	1885	2030	2175	2320	2465	2610	2755	2900
	Ø mm	PORTATA / Flow Rate (l/min)																		
015	0,80	1,5	1,9	2,2	2,4	2,6	2,8	3,0	3,2	3,4	3,6	3,7	3,9	4,0	4,2	4,3	4,4	4,6	4,7	4,8
02	0,91	2,1	2,5	2,9	3,3	3,6	3,8	4,1	4,4	4,6	4,8	5,0	5,2	5,4	5,6	5,8	6,0	6,2	6,3	6,5
025	1,00	2,5	3,1	3,5	4,0	4,3	4,7	5,0	5,3	5,6	5,9	6,1	6,4	6,6	6,9	7,1	7,3	7,5	7,7	7,9
03	1,09	3,0	3,7	4,3	4,8	5,3	5,7	6,1	6,5	6,8	7,1	7,4	7,8	8,0	8,3	8,6	8,9	9,1	9,4	9,6
035	1,15	3,6	4,4	5,1	5,7	6,2	6,7	7,2	7,6	8,0	8,4	8,8	9,1	9,5	9,8	10,1	10,4	10,7	11,0	11,3
04	1,19	4,1	5,0	5,8	6,4	7,0	7,6	8,1	8,6	9,1	9,5	10,0	10,4	10,8	11,1	11,5	11,9	12,2	12,5	12,9
045	1,27	4,6	5,6	6,5	7,3	8,0	8,6	9,2	9,8	10,3	10,8	11,3	11,7	12,2	12,6	13,0	13,4	13,8	14,2	14,6
05	1,35	5,1	6,2	7,2	8,1	8,8	9,5	10,2	10,8	11,4	12,0	12,5	13,0	13,5	14,0	14,4	14,9	15,3	15,7	16,1
055	1,40	5,6	6,8	7,9	8,8	9,7	10,5	11,2	11,9	12,5	13,1	13,7	14,3	14,8	15,3	15,8	16,3	16,8	17,2	17,7
06	1,47	6,1	7,5	8,7	9,7	10,6	11,5	12,3	13,0	13,7	14,4	15,0	15,6	16,2	16,8	17,3	17,9	18,4	18,9	19,4
065	1,52	6,6	8,1	9,4	10,5	11,5	12,4	13,2	14,0	14,8	15,5	16,2	16,9	17,5	18,1	18,7	19,3	19,9	20,4	20,9
07	1,60	7,2	8,8	10,1	11,3	12,4	13,4	14,3	15,2	16,0	16,8	17,5	18,2	18,9	19,6	20,2	20,9	21,5	22,1	22,6
075	1,65	7,6	9,4	10,8	12,1	13,2	14,3	15,3	16,2	17,1	17,9	18,7	19,5	20,2	20,9	21,6	22,3	22,9	23,6	24,2
08	1,70	8,1	10,0	11,5	12,9	14,1	15,2	16,3	17,3	18,2	19,1	19,9	20,8	21,5	22,3	23,0	23,7	24,4	25,1	25,7
085	1,75	8,7	10,6	12,3	13,7	15,0	16,2	17,4	18,4	19,4	20,3	21,3	22,1	23,0	23,8	24,5	25,3	26,0	26,7	27,4
09	1,80	9,4	11,5	13,3	14,8	16,3	17,6	18,8	19,9	21,0	22,0	23,0	23,9	24,8	25,7	26,6	27,4	28,2	28,9	29,7
095	1,85	9,8	12,0	13,9	15,6	17,0	18,4	19,7	20,9	22,0	23,1	24,1	25,1	26,0	26,9	27,8	28,7	29,5	30,3	31,1
10	1,90	10,3	12,6	14,5	16,3	17,8	19,2	20,6	21,8	23,0	24,1	25,2	26,2	27,2	28,2	29,1	30,0	30,9	31,7	32,5
105	1,94	10,7	13,2	16,6	18,2	18,6	19,9	20,1	22,8	23,5	25,2	25,7	27,4	28,4	28,8	30,4	30,6	32,2	33,1	33,2
11	1,98	11,2	13,7	15,8	17,7	19,4	20,9	22,4	23,7	25,0	26,2	27,4	28,5	29,6	30,6	31,6	32,6	33,5	34,5	35,4
115	2,03	11,6	14,2	16,4	18,4	20,1	21,8	23,3	24,7	26,0	27,3	28,5	29,6	30,8	31,8	32,9	33,9	34,9	35,8	36,8
12	2,08	12,1	14,8	17,1	19,1	20,9	22,6	24,1	25,6	27,0	28,3	29,6	30,8	31,9	33,1	34,2	35,2	36,2	37,2	38,2
125	2,13	12,5	15,3	17,7	19,8	21,7	23,4	25,0	26,6	28,0	29,4	30,7	31,9	33,1	34,3	35,4	36,5	37,6	38,6	39,6
13	2,16	13,4	16,4	19,0	21,2	23,2	25,1	26,8	28,5	30,0	31,5	32,9	34,2	35,5	36,7	37,9	39,1	40,2	41,4	42,4
14	2,26	14,3	17,5	20,2	22,6	24,8	26,8	28,6	30,4	32,0	33,6	35,1	36,5	37,9	39,2	40,5	41,7	42,9	44,1	45,3
15	2,34	15,2	18,6	21,5	24,0	26,3	28,4	30,4	32,3	34,0	35,7	37,2	38,8	40,2	41,6	43,0	44,3	45,6	46,9	48,1
16	2,41	16,1	19,7	22,8	25,5	27,9	30,1	32,2	34,2	36,0	37,8	39,4	41,0	42,6	44,1	45,5	46,9	48,3	49,6	50,9
18	2,54	18,3	22,5	25,9	29,0	31,8	34,3	36,7	38,9	41,0	43,0	44,9	46,7	48,5	50,2	51,9	53,5	55,0	56,5	58,0
20	2,69	20,6	25,2	29,1	32,5	35,6	38,5	41,1	43,6	46,0	48,2	50,4	52,4	54,4	56,3	58,2	60,0	61,7	63,4	65,1
25	3,00	25,5	31,2	36,0	40,3	44,2	47,7	51,0	54,1	57,0	59,8	62,4	65,0	67,4	69,8	72,1	74,3	76,5	78,6	80,6
30	3,30	30,4	37,2	43,0	48,1	52,7	56,9	60,8	64,5	68,0	71,3	74,5	77,5	80,5	83,3	86,0	88,7	91,2	93,7	96,2
40	3,80	40,7	49,8	57,6	64,3	70,5	76,1	81,4	86,3	91,0	95,4	99,7	103,8	107,7	111,5	115,1	118,6	122,1	125,4	128,7
50	4,20	51,0	62,4	72,1	80,6	88,3	95,4	102,0	108,1	114,0	119,6	124,9	130,0	134,9	139,6	144,2	148,6	152,9	157,1	161,2
60	4,70	61,3	75,0	86,6	96,9	106,1	114,6	122,5	130,0	137,0	143,7	150,1	156,2	162,1	167,8	173,3	178,6	183,8	188,8	193,7
70	5,1	71,6	87,6	101,2	113,1	123,9	133,9	143,1	151,8	160,0	167,8	175,3	182,4	189,3	196,0	202,4	208,6	214,7	220,5	226,3
80	5,5	81,4	99,7	115,1	128,7	141,0	152,3	162,8	172,7	182,0	190,9	199,4	207,5	215,3	222,9	230,2	237,3	244,2	250,9	257,4
90	5,9	91,7	112,3	129,7	145,0	158,8	171,5	183,4	194,5	205,0	215,0	224,6	233,7	242,6	251,1	259,3	267,3	275,0	282,6	289,9

		PRESSIONE / PRESSURE (bar - PSI)																		
TIPO TYPE	bar	210	220	230	240	250	280	300	350	400	450	500	550	600	700	800	900	1000	1100	1250
	PSI	3045	3190	3335	3480	3625	4060	4350	5075	5800	6525	7250	7975	8700	10150	11600	13050	14500	15955	18130
	Ø mm	PORTATA / Flow Rate (l/min)																		
015	0,80	4,9	5,0	5,2	5,3	5,4	5,7	5,9	6,4	6,8	7,2	7,6	8,0	8,3	8,9	9,5	10,1	10,6	11,1	11,9
02	0,91	6,7	6,8	7,0	7,1	7,3	7,7	8,0	8,6	9,2	9,8	10,3	10,8	11,3	11,8	12,6	13,4	14,1	14,8	15,8
025	1,00	8,1	8,3	8,5	8,7	8,9	9,4	9,7	10,5	11,2	11,9	12,5	13,1	13,7	14,8	15,8	16,8	17,7	18,5	19,8
03	1,09	9,9	10,1	10,3	10,5	10,8	11,4	11,8	12,7	13,6	14,4	15,2	15,9	16,7	17,7	19,0	20,1	21,2	22,2	23,7
035	1,15	11,6	11,9	12,1	12,4	12,6	13,4	13,9	15,0	16,0	17,0	17,9	18,8	19,6	20,7	22,1	23,5	24,7	26,0	27,7
04	1,19	13,2	13,5	13,8	14,1	14,4	15,2	15,8	17,0	18,2	19,3	20,3	21,3	22,3	23,7	25,3	26,8	28,3	29,7	31,6
045	1,27	14,9	15,3	15,6	16,0	16,3	17,2	17,8	19,3	20,6	21,8	23,0	24,2	25,2	26,6	28,5	30,2	31,8	33,4	35,6
05	1,35	16,5	16,9	17,3	17,7	18,0	19,1	19,7	21,3	22,8	24,2	25,5	26,7	27,9	29,6	31,6	33,5	35,4	37,1	39,5
055	1,40	18,1	18,5	19,0	19,4	19,8	20,9	21,7	23,4	25,0	26,5	28,0	29,3	30,6	32,5	34,8	36,9	38,9	40,8	43,5
06	1,47	19,9	20,3	20,8	21,2	21,7	22,9	23,7	25,6	27,4	29,1	30,6	32,1	33,6	35,5	37,9	40,2	42,4	44,5	47,4
065	1,52	21,4	22,0	22,4	22,9	23,4	24,8	25,6	27,7	29,6	31,4	33,1	34,7	36,3	38,5	41,1	43,6	46,0	48,2	51,4
07	1,60	23,2	23,7	24,3	24,8	25,3	26,8	27,7	29,9	32,0	33,9	35,8	37,5	39,2	41,4	44,3	47,0	49,5	51,9	55,3
075	1,65	24,8	25,4	25,9	26,5	27,0	28,6	29,6	32,0	34,2	36,3	38,2	40,1	41,9	44,4	47,4	50,3	53,0	55,6	59,3
08	1,70	26,4	27,0	27,6	28,2	28,8	30,5	31,5	34,0	36,4	38,6	40,7	42,7	44,6	47,3	50,6	53,7	56,6	59,3	63,2
085	1,75	28,1	28,8	29,4	30,1	30,7	32,5	33,6	36,3	38,8	41,2	43,4	45,5	47,5	50,3	53,8	57,0	60,1	63,0	67,2
09	1,80	30,4	31,1	31,8	32,5	33,2	35,1	36,4	39,3	42,00	44,5	47,0	49,2	51,4	53,2	56,9	60,4	63,6	66,7	71,2
095	1,85	31,9	32,6	33,4	34,1	34,8	36,8	38,1	41,2	44,0	46,7	49,2	51,6	53,9	56,2	60,1	63,7	67,2	70,5	75,1
10	1,90	33,3	34,1	34,9	35,6	36,4	38,5	39,8	43,0	46,0	48,8	51,4	53,9	56,3	59,2	63,2	67,1	70,7	74,2	79,1
105	1,94	34,8	34,8	36,4	37,2	37,1	39,3	40,7	43,9	47,0	51,0	52,5	56,3	57,5	62,1	66,4	70,4	74,2	79,7	84,9
11	1,98	36,2	37,1	37,9	38,7	39,5	41,8	43,3	46,8	50,0	53,0	55,9	58,6	61,2	65,1	69,6	73,8	77,8	81,6	87
115	2,03	37,7	38,6	39,4	40,3	41,1	43,5	45,0	48,6	52,0	55,2	58,1	61,0	63,7	68,0	72,7	77,1	81,3	85,3	90,9
12	2,08	39,1	40,0	40,9	41,8	42,7	45,2	46,8	50,5	54,0	57,3	60,4	63,3	66,1	71,0	75,9	80,5	84,9	89,0	94,9
125	2,13	40,6	41,5	42,5	43,4	44,3	46,9	48,5	52,4	56,0	59,4	62,6	65,7	68,6	74,0	79,1	83,9	88,4	92,7	98,8
13	2,16	43,5	44,5	45,5	46,5	47,4	50,2	52,0	56,1	60,00	63,6	67,1	70,4	73,5	76,9	82,2	87,2	91,9	96,4	102,8
14	2,26	46,4	47,5	48,5	49,6	50,6	53,5	55,4	59,9	64,0	67,9	71,6	75,0	78,4	82,8	88,5	93,9	99,0	103,8	110,7
15	2,34	49,3	50,4	51,6	52,7	53,8	56,9	58,9	63,6	68,0	72,1	76,0	79,7	83,3	88,7	94,9	100,6	106,1	111,2	118,6
16	2,41	52,2	53,4	54,6	55,8	56,9	60,2	62,4	67,3	72,0	76,4	80,5	84,4	88,2	94,7	101,2	107,3	113,1	118,7	126,5
18	2,54	59,4	60,8	62,2	63,5	64,8	68,6	71,0	76,7	82,0	87,0	91,7	96,2	100,4	106,5	113,8	120,7	127,3	133,5	142,3
20	2,69	66,7	68,2	69,8	71,3	72,7	77,0	79,7	86,1	92,0	97,6	102,9	107,9	112,7	118,3	126,5	134,2	141,4	148,3	158,1
25	3,00	82,6	84,5	86,4	88,3	90,1	95,4	98,7	106,6	114,0	120,9	127,5	133,7	139,6	147,9	158,1	167,7	176,8	185,4	197,6
30	3,30	98,5	100,9	103,1	105,3	107,5	113,8	117,8	137,2	136,0	144,2	152,1	159,5	166,6	177,5	189,7	201,2	212,1	222,5	237,2
40	3,80	131,9	135,0	138,0	141,0	143,9	152,3	157,6	170,2	182,0	193,0	203,5	213,4	222,9	236,6	253,0	268,3	282,8	296,6	316,2
50	4,20	165,2	169,1	172,9	176,6	180,2	190,8	197,5	213,3	228,0	241,8	254,9	267,4	279,2	295,8	316,2	335,4	353,6	370,8	395,3
60	4,70	198,5	203,2	207,8	212,2	216,6	229,2	237,3	256,3	274,0	290,6	306,3	321,3	335,6	355,0	379,5	402,5	424,3	445,0	474,3
70	5,1	231,9	237,3	242,7	247,9	253,0	267,7	277,1	299,3	320,0	339,4	357,8	375,2	391,9	423,2	452,4	479,9	505,8	530,5	565,5
80	5,5	263,7	269,9	276,0	282,0	287,8	304,5	315,2	340,5	364,0	386,1	407,0	426,8	445,8	481,2	514,4	545,6	575,1	603,2	643,0
90	5,9	297,1	304,1	310,9	317,6	324,1	343,0	355,1	383,5	410,0	434,9	458,4	480,8	502,1	542,3	579,7	614,9	648,2	679,8	724,7